



distressed brass



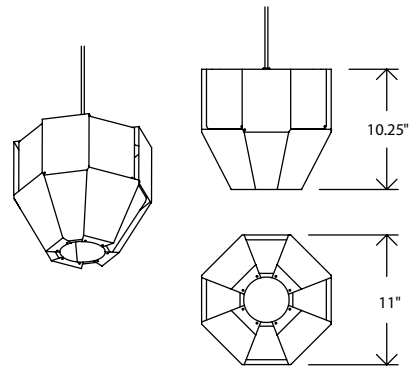
matte black with matte white



gloss white

Inspiration for the Astrum dates back to the first light fixture the three of us ever made after starting Cerno. The varying depths of the flat panels strategically obstruct a direct view of the light source. Light reflects off the inside of the outer panels and bounces off the inner panels producing a halo washing effect. The oculus at the bottom functions to emit a useful amount of downlighting. This design manages to pay homage to past modern designs while also feeling a bit futuristic.

Astrum 11 pendant



Dimensions: 11" x 11", 10.25"
 Product weight: 2 lb
 Suitable for a sloped ceiling

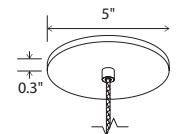
Integrated LED Specifications

Light output: 1690 Lumens (source)
 Light color: 2700 K, 3000 K, 3500 K or 4000 K
 Color accuracy: 90+ CRI
 Power usage: 19.5 W
 Dimmable (see driver below)
 Driver must be housed in J-box
 Driver dimensions: 3.3" x 1.6" x 1", included

E26 Medium Base Specifications

Lamping: E26 base, type A lamp, 60 W max
 Input voltage: 250 V AC max
 Bulb not included

Textured Black Powdercoat (CM-049) low-profile round canopy with SVT-3 Cable, Black (CM-039)
 Canopy dimensions: 5" Ø, 0.3"
 See website for more canopy information
 Field adjustable drop length: 0'6" min - 8'0" max
 Specifications subject to change



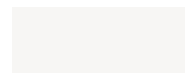
black low-profile round canopy with braided cord



matte black (CM-085)



distressed brass (CM-096)



gloss white (CM-054)

MATERIAL & FINISH OPTIONS

Astrum 11 part # 06-270-11

Shade Material

matte black (CM-085) with matte white interior
 distressed brass (CM-096)
 gloss white (CM-054)

Lamping*

2700 K LED
 3000 K LED
 3500 K LED
 4000 K LED
 medium base E26 socket

Driver (LED version only)

AC Input Voltage Range: 120-277 V
 120 V input: TRIAC, ELV & 0-10 V dimmable
 240 & 277 V input: only 0-10 V dimmable

