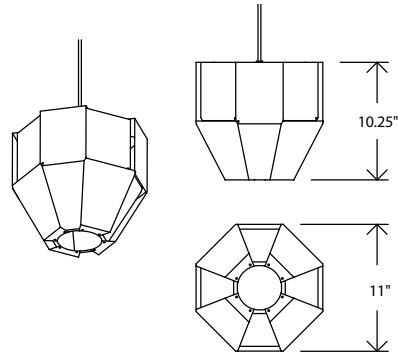




distressed brass

Astrum 11 pendant



Dimensions: 11" x 11", 10.25"
Product weight: 2 lb
Suitable for a sloped ceiling

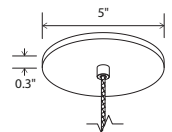
Integrated LED Specifications

Light output: 1690 Lumens (source)
Light color: 2700 K, 3000 K, 3500 K or 4000 K
Color accuracy: 90+ CRI
Power usage: 19.5 W
Dimmable (see driver below)
Driver must be housed in J-box
Driver dimensions: 3.3" x 1.6" x 1", included

E26 Medium Base Specifications

Lamping: E26 base, type A lamp, 60 W max
Input voltage: 250 V AC max
Bulb not included

Textured Black Powdercoat (CM-049) low profile round canopy with SVT-3 Cable, Black (CM-039)
Canopy dimensions: 5" Ø, 0.3"
See website for more canopy information
Field adjustable drop length: 0'6" min - 8'0" max
Specifications subject to change



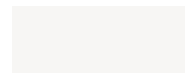
black low profile round canopy with braided cord



matte black (CM-085)



distressed brass (CM-096)



gloss white (CM-054)



gloss white



matte black with matte white



MATERIAL & FINISH OPTIONS

Astrum 11 part # 06-270-11

Shade Material

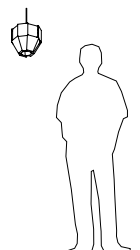
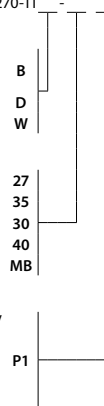
matte black (CM-085) with matte white interior
distressed brass (CM-096)
gloss white (CM-054)

Lamping*

2700 K LED
3000 K LED
3500 K LED
4000 K LED
medium base E26 socket

Driver (LED version only)

AC Input Voltage Range: 120-277 V
120 V input: TRIAC, ELV & 0-10 V dimmable
240 & 277 V input: only 0-10 V dimmable



Inspiration for the Astrum dates back to the first light fixture the three of us ever made after starting Cerno. The varying depths of the flat panels strategically obstruct a direct view of the light source. Light reflects off the inside of the outer panels and bounces off the inner panels producing a halo washing effect. The oculus at the bottom functions to emit a useful amount of downlighting. This design manages to pay homage to past modern designs while also feeling a bit futuristic.

▲WARNING. California Proposition 65 Warning for California Consumers. This product can expose you to chemicals including wood dust and lead which are known to the State of California to cause cancer or birth defects or other reproductive harm. For more information go to www.P65Warnings.ca.gov