

Cerno Art Light - DWWM (Square)

Installation Instructions

cerno®

General Product Information



This product is suitable for indoor dry and damp locations only.

THIS IS A LOW VOLTAGE (24VDC) FIXTURE AND MUST BE USED WITH THE SUPPLIED OR MANUFACTURER APPROVED POWER SUPPLY

**These instructions are for both the Low Profile and the Round fixture shapes. **



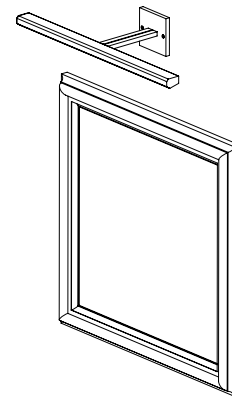
CAUTION - RISK OF FIRE



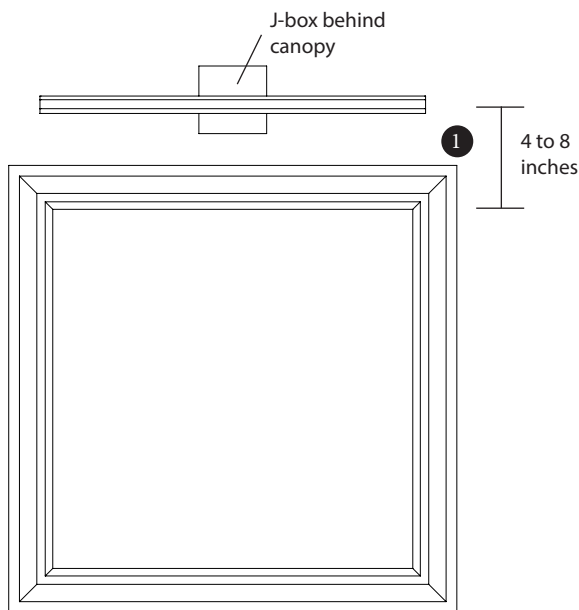
This product requires installation by a qualified electrician. Before installing be sure to read all instructions and **TURN POWER OFF TO THE JUNCTION BOX.**

Dimmable Version Only:

This fixture is only compatible with TRIAC, ELV, and 0-10V dimming.



US Patent # 7,070,293 and 9,134,004.
Other US and International Patents Pending

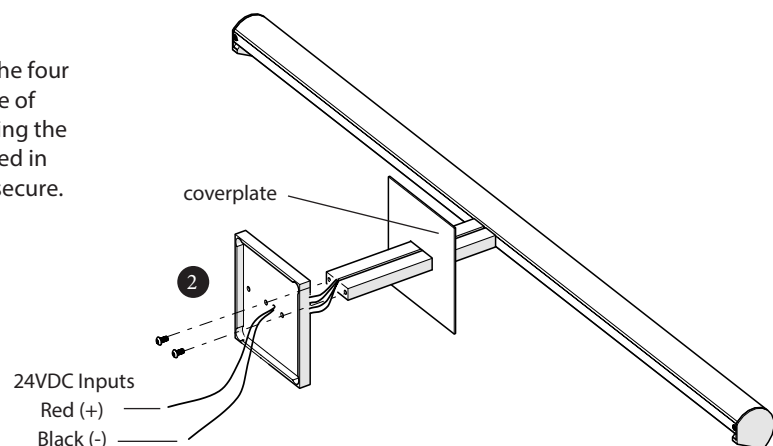


Determining Location for a Junction Box

- 1 Determine where the center and top edge of the artwork will be located after installation. Place the centerpoint of the junction box vertically in line with the center of the artwork and 4 to 8 inches above the top edge of the artwork. This height is dependent upon the width of the border along the artwork's frame. Make sure a junction box is used that will adequately house the included power supply. A 4in square deep junction box with a 3in round plaster ring is recommended.

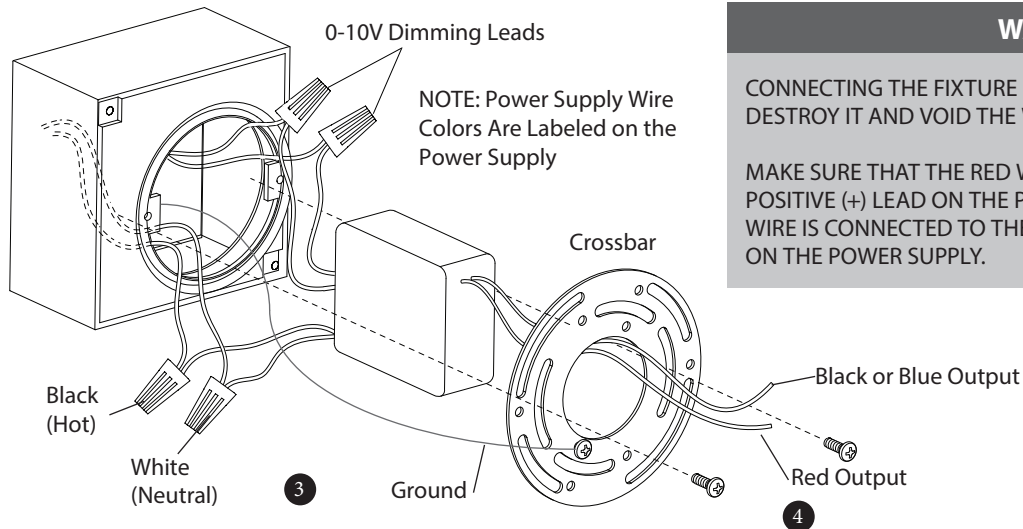
Assemble the Fixture

- 2 Feed the mounting arm through the coverplate. Feed the four wires exiting the mounting arm through the center hole of the canopy. Fasten the canopy to the mounting arm using the #8-32 button head screws and the 3/32" hex key included in the hardware kit. Tighten until connection is rigid and secure.



Install the Power Supply and Crossbar

- 1 Make sure power to the J-box is turned off. Connect the line voltage leads to the input leads of power supply. Connect a ground wire to the ground screw on the crossbar assembly. If applicable, connect the 0-10V dimming leads to the 0-10V dimming input leads of the power supply. If the 0-10V dimming leads are not used, cap the leads separately.
- 2 Place the power supply into the J-box. Fasten the crossbar over the opening of the J-box using the included #8-32 x 3/4" Phillips head machine screws. Make sure the output wires from the power supply are accessible through the center opening of the crossbar.



WARNING

CONNECTING THE FIXTURE DIRECTLY TO LINE VOLTAGE WILL DESTROY IT AND VOID THE WARRANTY!

MAKE SURE THAT THE RED WIRE IS CONNECTED TO THE POSITIVE (+) LEAD ON THE POWER SUPPLY, AND THE BLACK WIRE IS CONNECTED TO THE NEGATIVE (-) OR GROUND LEAD ON THE POWER SUPPLY.

Install the Fixture

- 5 Make wire connections between the output leads of the power supply and the input leads of the fixture.
- 6 (For 0-10V Dimming Only):
Connect the violet and grey dimming leads to the 0-10V control leads (see more dimming information on page 3).
- 7 Fasten the canopy to the universal crossbar using the included 8-32 flathead socket screws and the 3/32" hex tool. Remove the backer from the tape strips on the coverplate and adhere the coverplate onto the canopy.

