

# Cerno Art Light - DWWM (Square)

Installation Instructions

cerno®

## General Product Information



This product is suitable for indoor dry and damp locations only.

THIS IS A LOW VOLTAGE (24VDC) FIXTURE AND MUST BE USED WITH THE SUPPLIED OR MANUFACTURER APPROVED POWER SUPPLY

\*\*These instructions are for both the Low Profile and the Round fixture shapes. \*\*



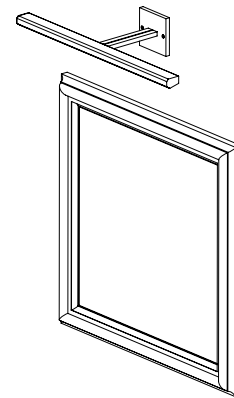
### CAUTION - RISK OF FIRE



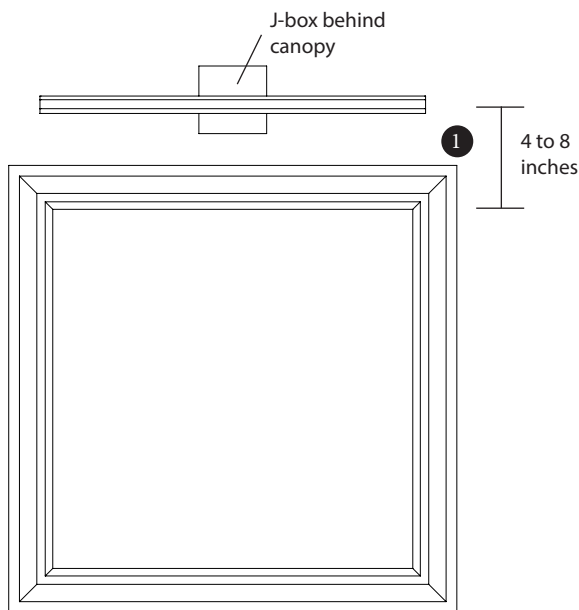
This product requires installation by a qualified electrician. Before installing be sure to read all instructions and **TURN POWER OFF TO THE JUNCTION BOX.**

Dimmable Version Only:

This fixture is only compatible with 0-10V low voltage dimmers. Dimming control cannot be achieved using TRIAC, ELV, or other phase-dimming methods.



US Patent # 7,070,293 and 9,134,004.  
Other US and International Patents Pending

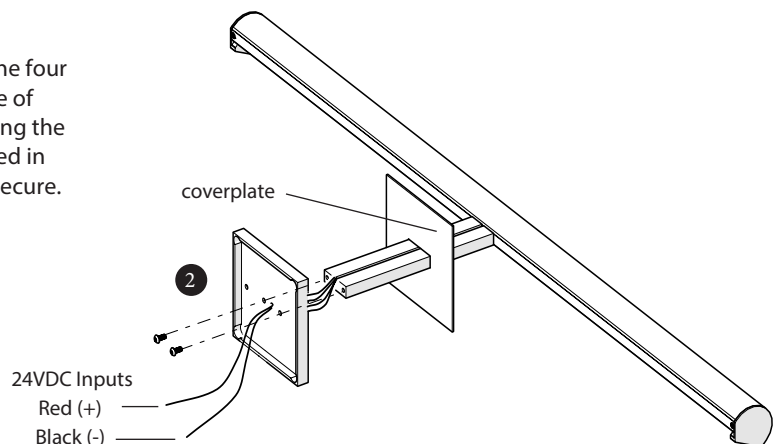


## Determining Location for a Junction Box

- 1 Determine where the center and top edge of the artwork will be located after installation. Place the centerpoint of the junction box vertically in line with the center of the artwork and 4 to 8 inches above the top edge of the artwork. This height is dependent upon the width of the border along the artwork's frame. Make sure a junction box is used that will adequately house the included power supply. A 4in square deep junction box with a 3in round plaster ring is recommended.

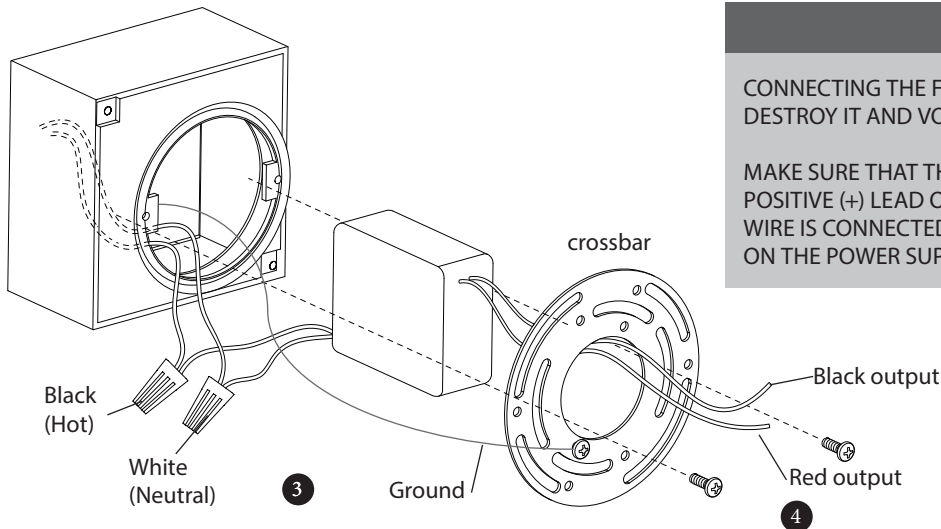
## Assemble the Fixture

- 2 Feed the mounting arm through the coverplate. Feed the four wires exiting the mounting arm through the center hole of the canopy. Fasten the canopy to the mounting arm using the #8-32 button head screws and the 3/32" hex key included in the hardware kit. Tighten until connection is rigid and secure.



### Install the Power Supply and Crossbar

- 3 Hardwired version only: Make sure power to the J-box is turned off. Connect the line voltage leads to the input leads of power supply. Connect a ground wire to the ground screw on the crossbar assembly.
- 4 Hardwired version only: Place the power supply into the J-box. Fasten the crossbar over the opening of the J-box using the included #8-32 x 3/4" Phillips head machine screws. Make sure the output wires from the power supply are accessible through the center opening of the crossbar.



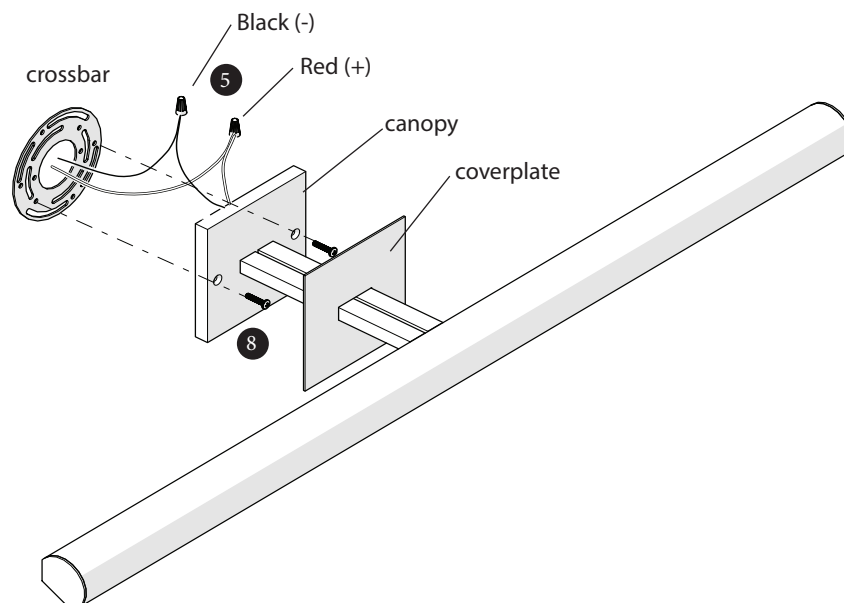
### WARNING

CONNECTING THE FIXTURE DIRECTLY TO LINE VOLTAGE WILL DESTROY IT AND VOID THE WARRANTY!

MAKE SURE THAT THE RED WIRE IS CONNECTED TO THE POSITIVE (+) LEAD ON THE POWER SUPPLY, AND THE BLACK WIRE IS CONNECTED TO THE NEGATIVE (-) or GROUND LEAD ON THE POWER SUPPLY.

### Install the Fixture

- 5 Hardwired version only: Make the wire connections between the output leads of the power supply and the input leads of the fixture.
- 6 Plug-In version only: The included plug-in power supply and in-line rocker switch can be mounted to the wall behind the painting, attached to the back of the frame, or installed remotely.
- 7 (0-10V Dimmable Version Only):  
Connect the violet and grey dimming leads to the 0-10V control leads (see more dimming information on page 3).
- 8 Fasten the canopy to the universal crossbar using the included 8-32 flathead socket screws and the 3/32" hex tool. Remove the backer from the tape strips on the coverplate and adhere the coverplate onto the canopy.



## CRITICAL NOTE

CONNECTING THE FIXTURE DIRECTLY TO LINE VOLTAGE WILL DESTROY IT AND VOID THE WARRANTY! REVERSING THE POLARITY WILL DAMAGE THE FIXTURE AND VOID THE WARRANTY!

THIS FIXTURE IS ONLY COMPATIBLE WITH 0-10V LOW VOLTAGE DIMMERS. DIMMING CONTROL CANNOT BE ACHIEVED USING TRIAC, ELV, OR OTHER PHASE-DIMMING METHODS.

MAKE SURE THAT THE RED WIRE IS CONNECTED TO THE POSITIVE (+) LEAD ON THE POWER SUPPLY, AND THE BLACK WIRE IS CONNECTED TO THE NEGATIVE (-) or GROUND LEAD ON THE POWER SUPPLY.

## Dimming Configurations

The fixture can be dimmed only by using the purple and grey 0-10V leads that exit the fixture. Dimming control cannot be achieved using TRIAC, ELV, or other phase-dimming methods. The methods listed below for dimming the fixture through the 0-10V leads are all recommended but are not entirely comprehensive; however, please use caution when experimenting with other methods of 0-10V control.

### 1) Using a Compatible 0-10V Wall Dimmer

Many companies offer 0-10V compatible wall dimmers that preserve the same aesthetic as traditional wall dimmers. It is the installer's responsibility to ensure that the wall dimmer chosen is compatible and to follow the installation instructions included with that system correctly.

It is not possible to achieve dimming control through the use of a TRIAC, ELV, or phase-dimming wall dimmer.

### 2) Using a Compatible Control System

Many home and commercial lighting control systems are available that are compatible with 0-10V dimmable fixtures. Incorporating the fixture with older systems that were not originally compatible with 0-10V fixtures may be possible through the use of ten volt interfaces that can read a phase-dimmed input and produce a 0-10V output. Please inquire with the manufacturer of a control system before attempting to interface it with the fixture.