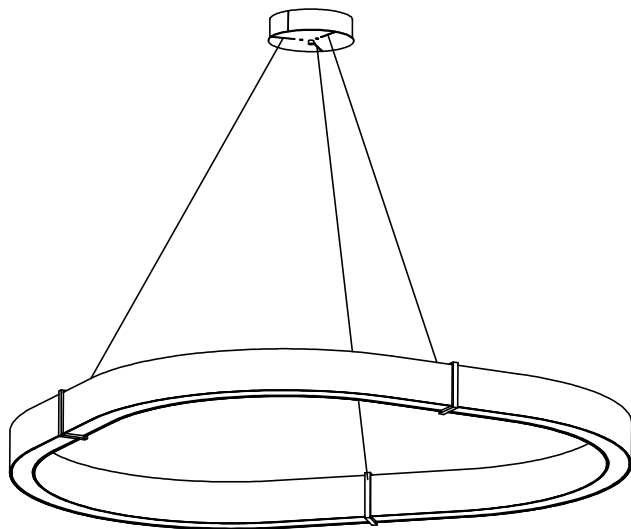
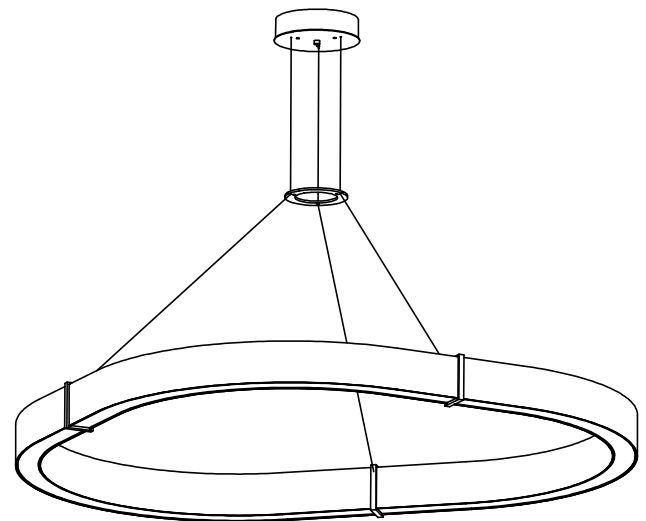


Capistrano, Straight Suspension Canopy  
See Pg.4-6

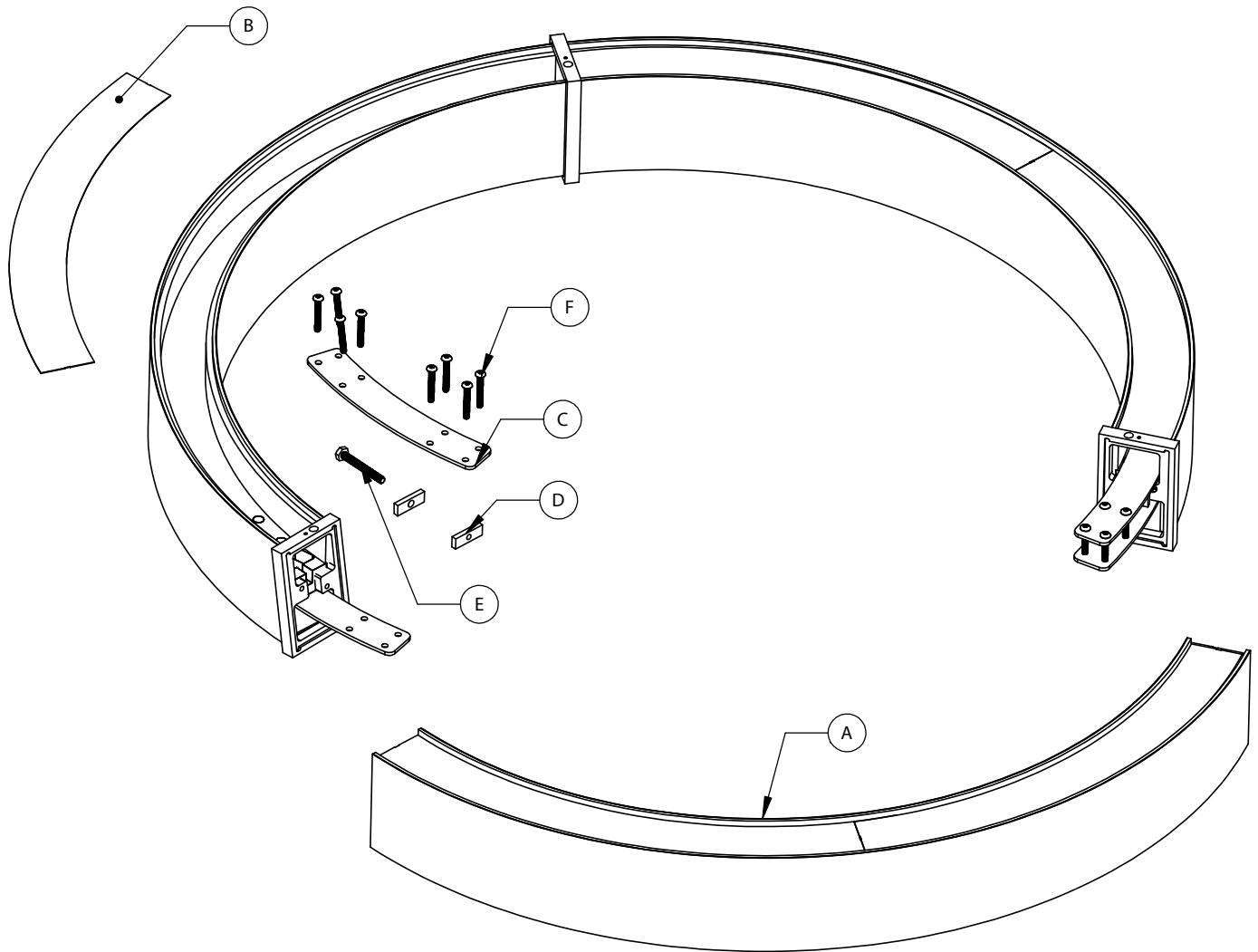


Capistrano, Angled Suspension Canopy  
See Pg. 7



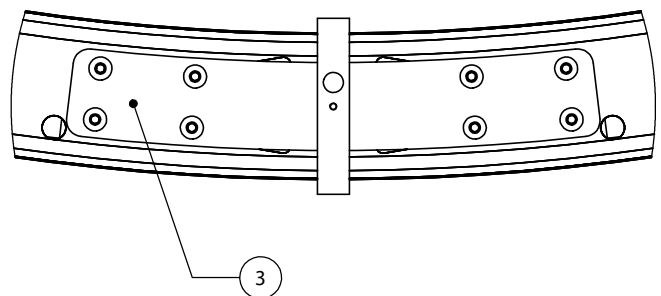
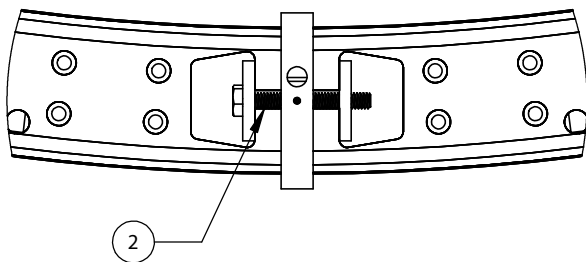
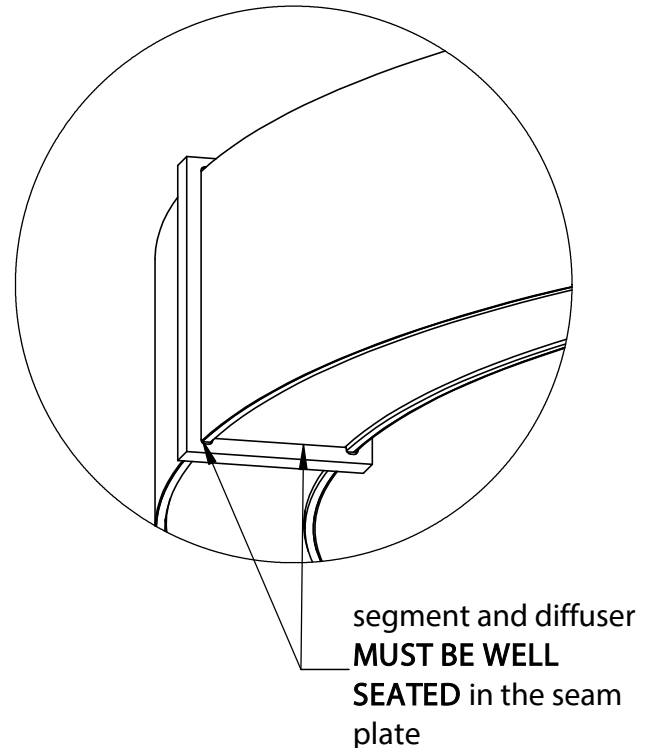
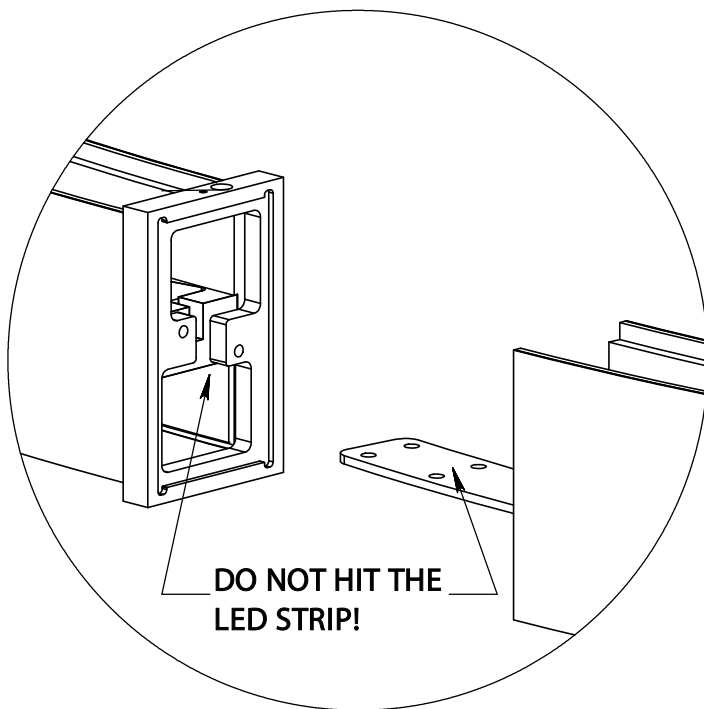
Capistrano, Collard Suspension Canopy  
See Pg. 7

Capistrano Assembly Parts List		
Item	Description	QTY
A	Capistrano Segment	3
B	Capistrano Diffusers or Top Covers	3 or 6
C	Capistrano Connector Bracket	3
D	Draw bolt plate	3
E	Hex Head Screw, 1/4-20 Thread, 2in Length	3
F	Socket Cap Screw, 10-32 x 1.375"	24



- 1) Carefully push the segments together and be **EXTREMELY CAUTIOUS** to not hit the LED strip.  
**CRITICAL NOTE:** The segments and diffusers **MUST BE WELL SEATED** in the seam plate before continuing onto the next steps.
- 2) Place the hex head screw and the draw bolt plates in the pockets to hold the segments together.
- 3) Overlap the bracket with the eight holes on the segments and use the button head screws to secure the segments together.
- 4) Make wire connections from fixture to power cables, following the indicators on the labels .
- 5) Insert the top covers or the top diffusers into the top of the segments.

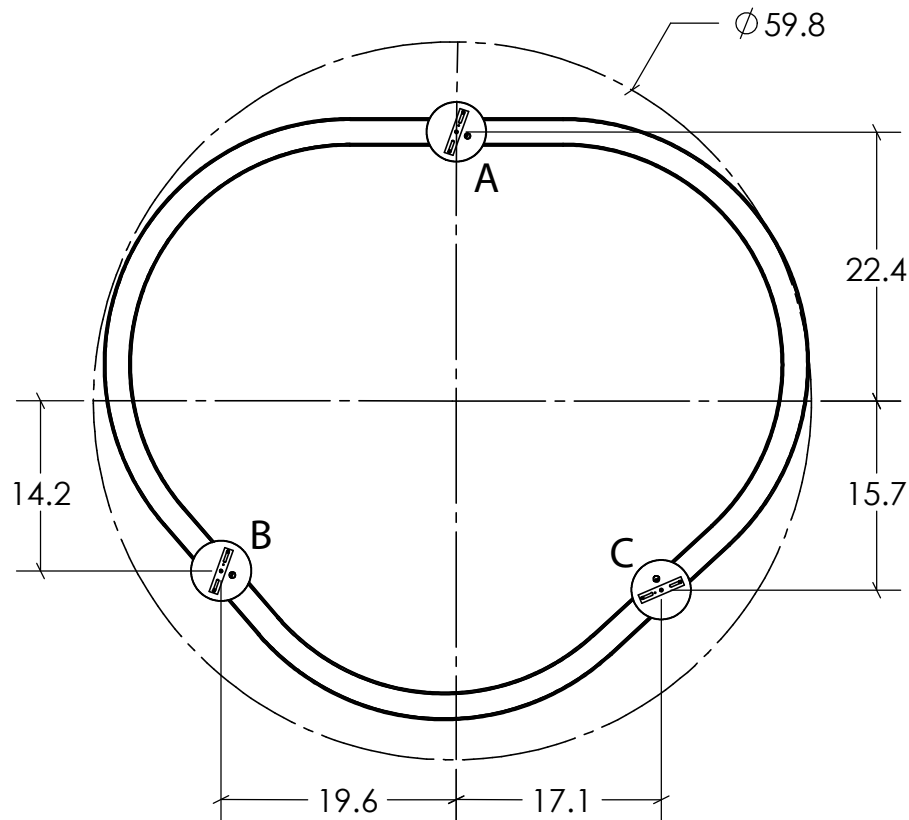
**Note for Uplight Wiring :** Remove the labels after properly making all the wire connections. Use the provided wire clips to gather the wire connections near the seam plate to avoid shadows being cast from the wire connections.



# Capistrano 59

Dimensions given based on Floor Plan (above) perspective.  
Dimensions are taken from the approximate center point of the fixture. All units in inches.

We recommend placing the assemble fixture on the floor underneath the desired location and marking J-box locations with a laser level.



**Driver Specs:**

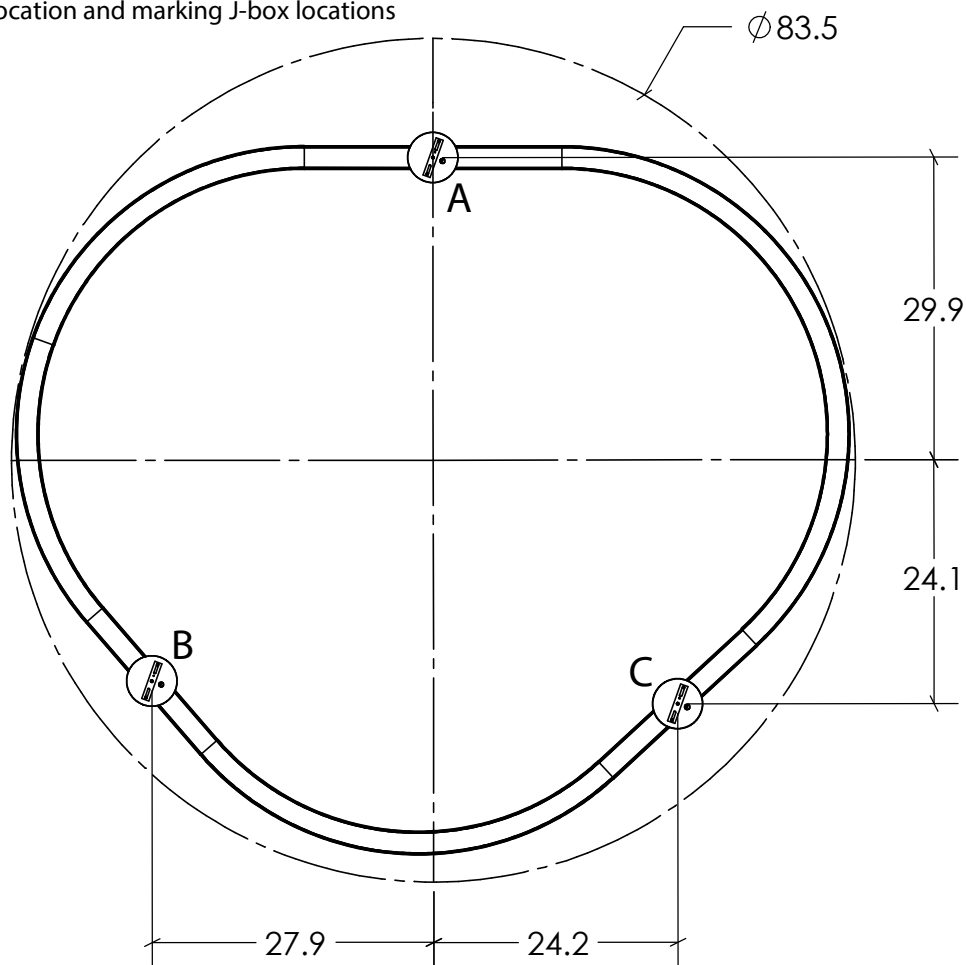
- 120-277VAC, 0-10V dimming down to 1% with dim to off
- Drivers to be mounted remote at a maximum distance of 50' including pendant drop distance, provided a 12 gauge wire is used.
- Driver dimensions are maximum 6.25" x 3" x 1.06"
- See table for power drop locations

Fixture Lighting Type	Junction A	Junction B	Junction C
Direct Light Only	Non-Powered	Powered	Powered
Direct & Indirect Light	Powered	Powered	Powered

# Capistrano 83

Dimensions given based on Floor Plan (above) perspective.  
Dimensions are taken from the approximate center point of the fixture. All units in inches.

We recommend placing the assemble fixture on the floor underneath the desired location and marking J-box locations with a laser level.

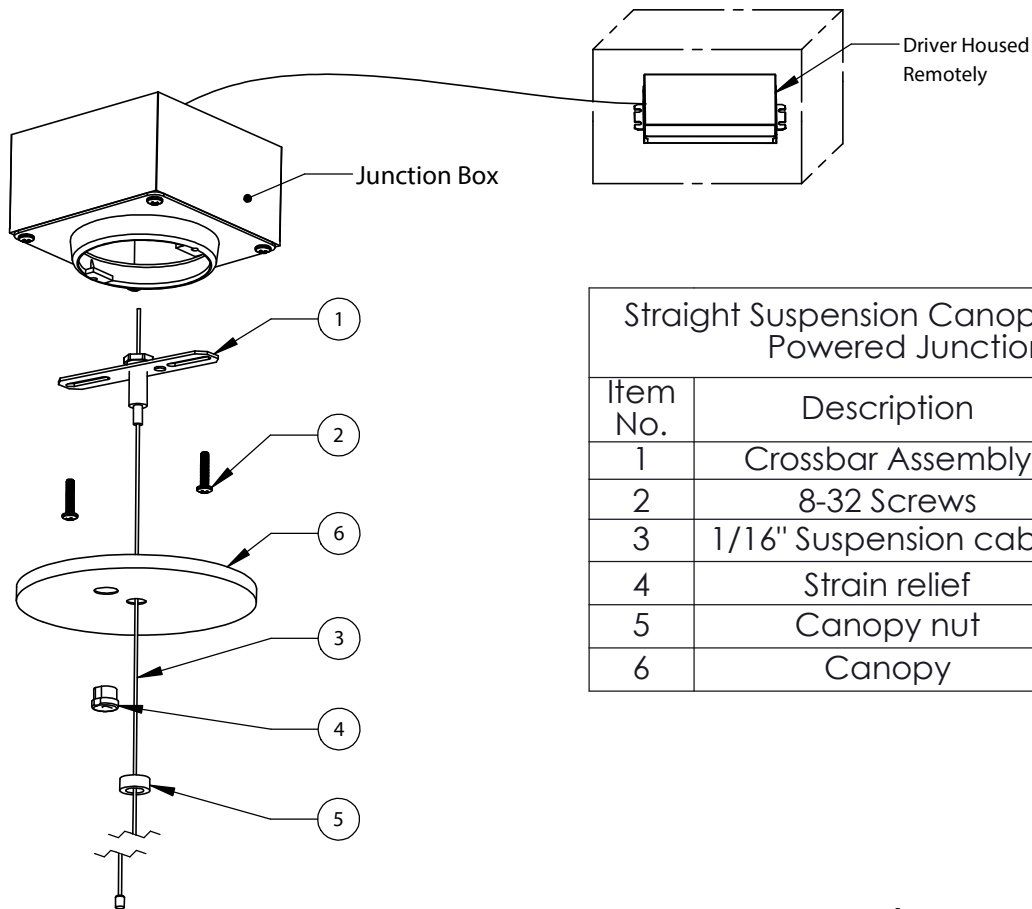


**Driver Specs:**

- 120-277VAC, 0-10V dimming down to 1% with dim to off
- Drivers to be mounted remote at a maximum distance of 50' including pendant drop distance, provided a 12 gauge wire is used.
- Driver dimensions are maximum 6.25" x 3" x 1.06"
- See table for power drop locations

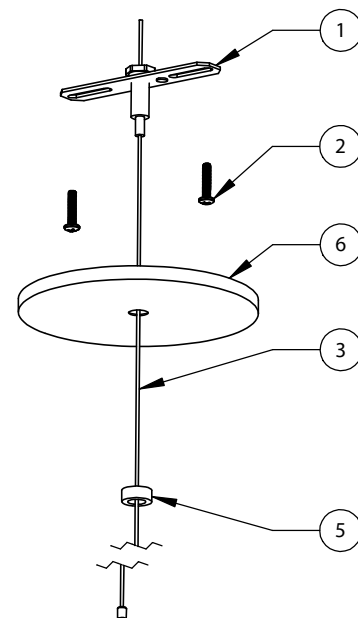
Fixture Lighting Type	Junction A	Junction B	Junction C
Direct Light Only	Non-Powered	Powered	Powered
Direct & Indirect Light	Powered	Powered	Powered

# Straight Suspension Canopies

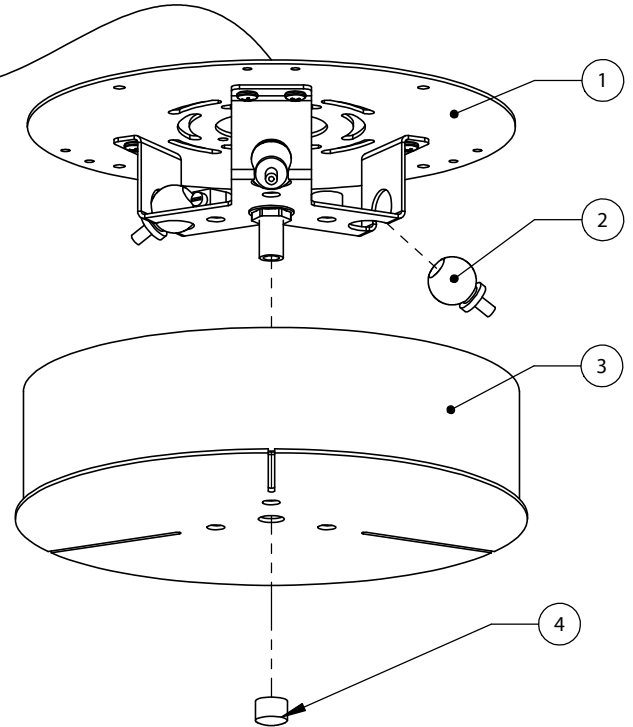
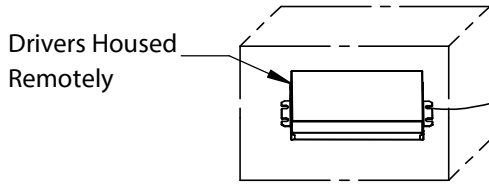


Item No.	Description	Qty
1	Crossbar Assembly	1
2	8-32 Screws	2
3	1/16" Suspension cable	1
4	Strain relief	1
5	Canopy nut	1
6	Canopy	1

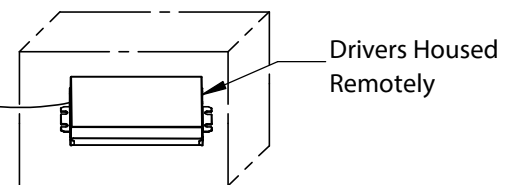
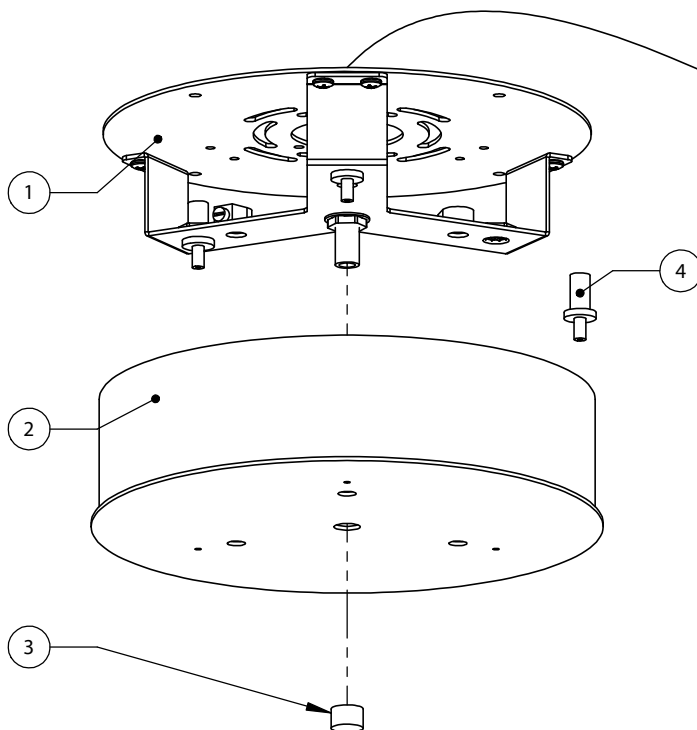
Item No.	Description	Qty
1	Crossbar Assembly	1
2	8-32 Screws	2
3	1/16" Suspension cable	1
4	Canopy nut	1
5	Canopy	1



# Angled & Collared Suspension Canopies



Item No.	Description	QTY
1	Mounting Plate Assembly	1
2	Cable Gripper Ball	3
3	Canopy Cover	1
4	Canopy nut	1



Item No.	Description	QTY
1	Mounting Plate Assembly	1
2	Canopy Cover	1
3	Canopy Nut	1
4	Cable Gripper	3