

## General Product Information

### CAUTION - RISK OF FIRE

This product requires installation by a qualified electrician. Before installing be sure to read all instructions and **TURN POWER OFF TO THE JUNCTION BOX**

This product is suitable for indoor dry or damp locations.

Damage due to incorrect connections can be detected at the factory and is not covered under warranty.

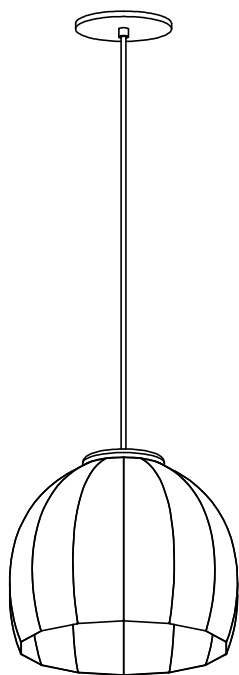
It is the installer's responsibility to verify that the provided suspension hardware is suitable for the site conditions.

**Junction Box Requirements:** This fixture can be mounted to most standard junction boxes. It is the installer's responsibility to ensure that the site conditions, junction box, and fasteners used are suitable to support the weight of the fixture.

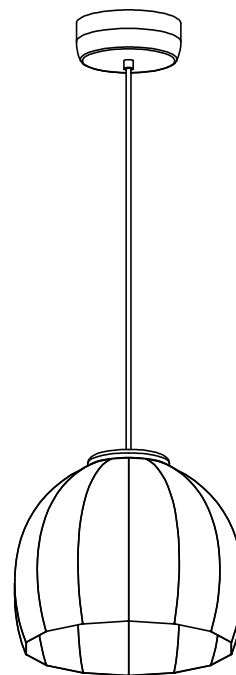
**Dimming:** This fixture is compatible with TRIAC, ELV, and 0-10V dimming.

The low profile canopy option requires that the driver be housed in the junction box or a suitable remote enclosure. The driver may be stored inside the canopy for the extended canopy option.

Amicus 12 with  
Low Profile Canopy



Amicus 12 with  
Extended Canopy

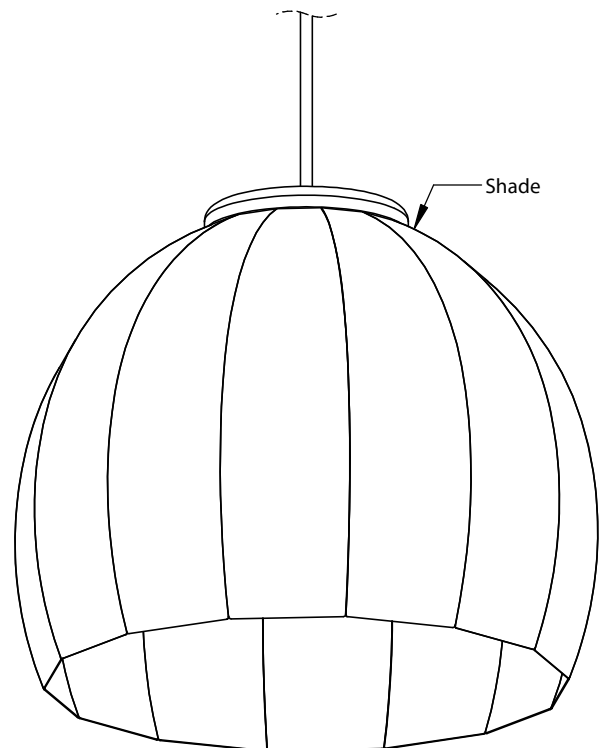
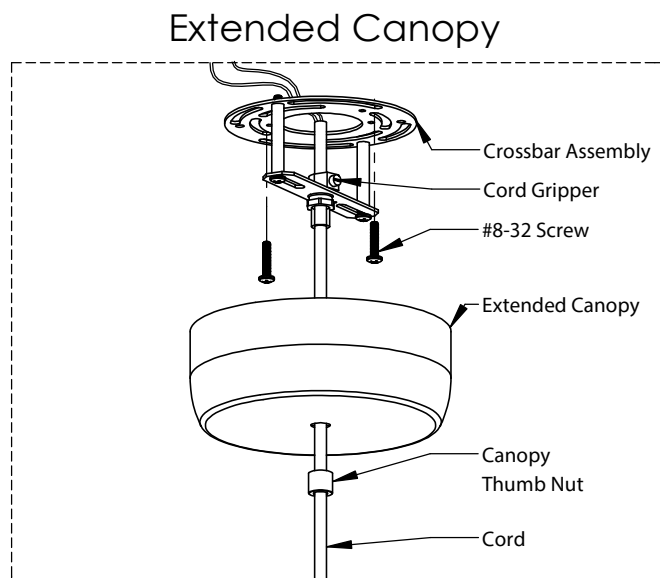
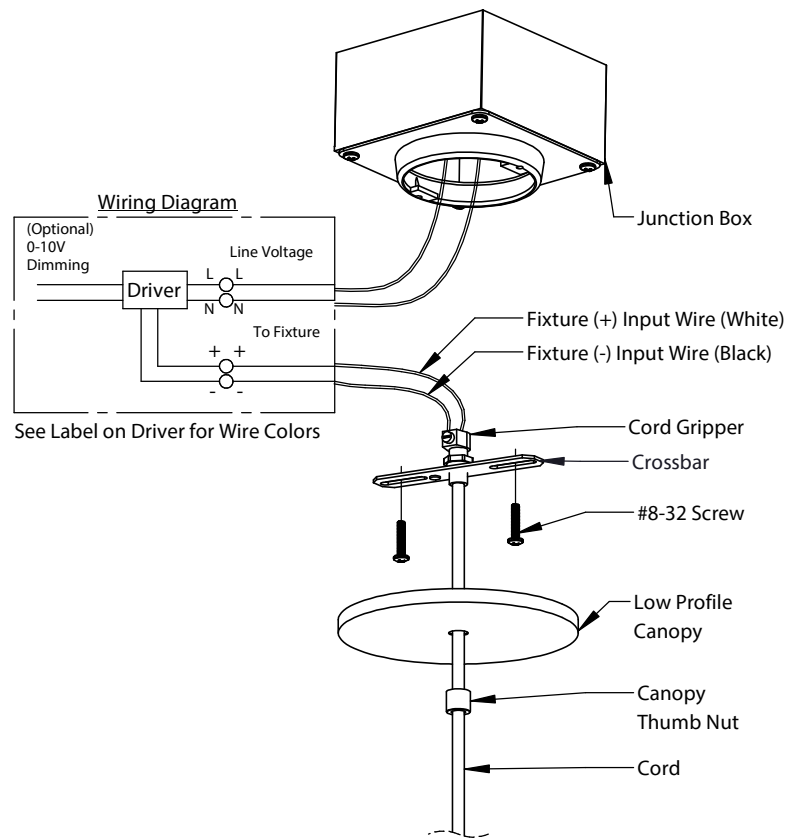


Note: The following installation steps are applicable for both canopy styles.

- ① Slip the cord through the center hole in the shade.
- ② Slip the cord through the canopy thumb nut, crossbar assembly, and cord gripper in that order.
- ③ Measure the desired height (H) that you want the fixture to hang below the ceiling. Once you have reached your desired height, tighten the set screw on the cord gripper.
- ④ Make the electrical connections as shown in the diagram using the supplied wire nuts.

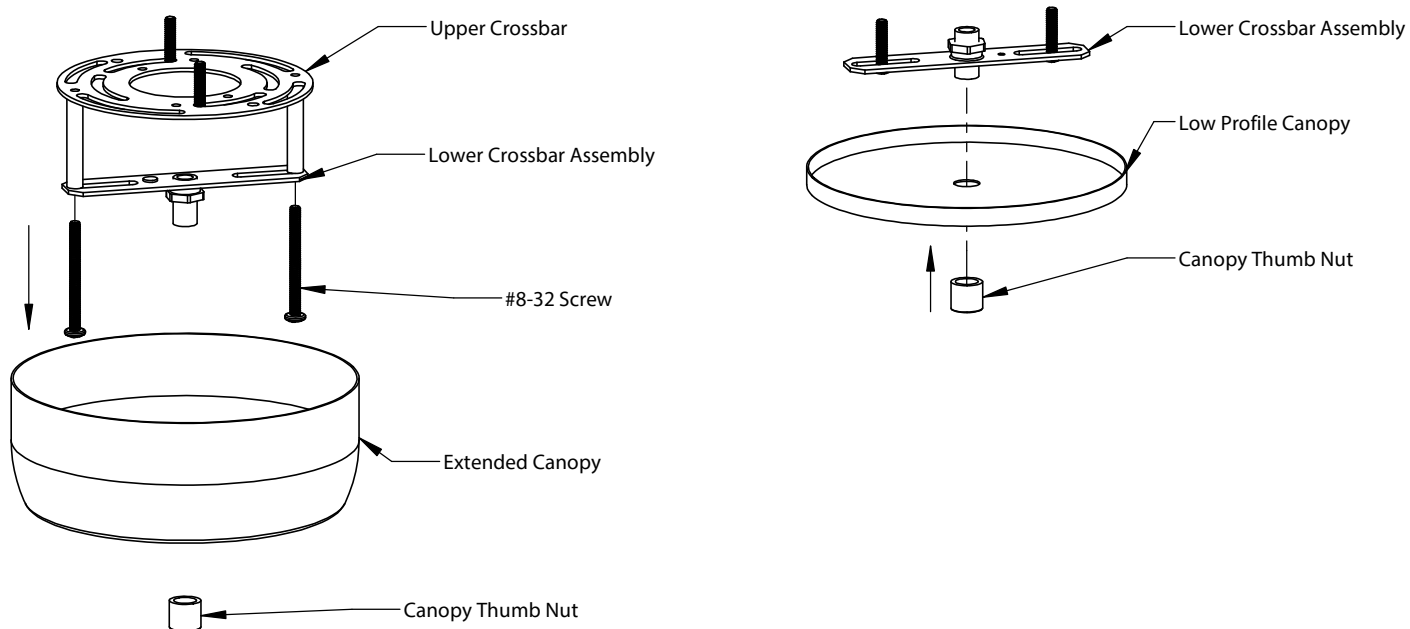
**Critical Note:** If 0-10V dimming control is to be used, connect the driver dimming leads to the 0-10V dimmer. Otherwise, the tinned ends of these leads should be snipped off and the leads should be capped individually so they remain isolated from each other.

- ⑤ Attach the crossbar assembly to the junction box using the supplied #8-32 screws.
- ⑥ Place wire connections and excess wire into the junction box.
- ⑦ Slide the canopy up and secure it by fastening the canopy thumb nut



## Changing an Extended Canopy to a Low Profile Canopy (Optional)

- ① Loosen and remove the canopy thumb nut and extended canopy.
- ② Remove the long #8-32 screws that attach the lower crossbar to the upper crossbar.
- ③ Use the lower crossbar assembly and install the low profile canopy as shown.



## Changing a Low Profile Canopy to an Extended Canopy (Optional)

- ① Reverse the steps shown in the previous section. The long #8-32 screws slip through the lower crossbar and standoff then thread into the threaded holes on the upper crossbar as shown below.

