

General Product Information

This product is suitable for indoor dry or damp locations.

This product is to be installed to a standard 4" junction box with 3" round plaster ring or an octagon junction box.



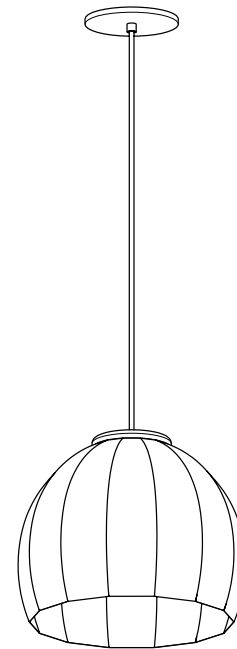
CAUTION - RISK OF FIRE



This product requires installation by a qualified electrician. Before installing be sure to read all instructions and **TURN POWER OFF TO THE JUNCTION BOX**

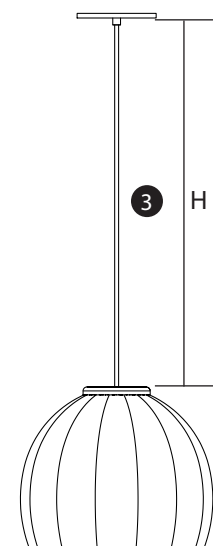
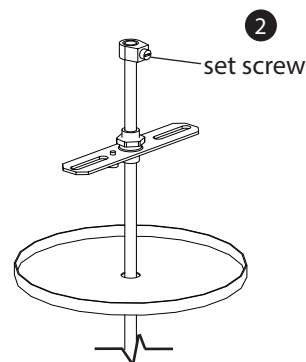
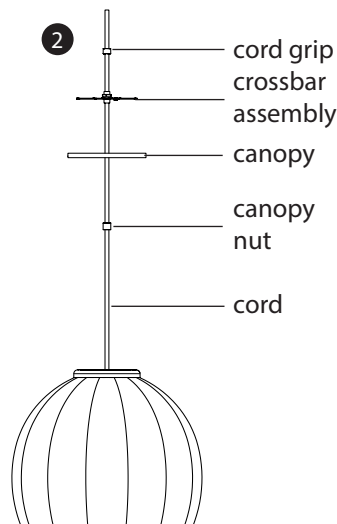
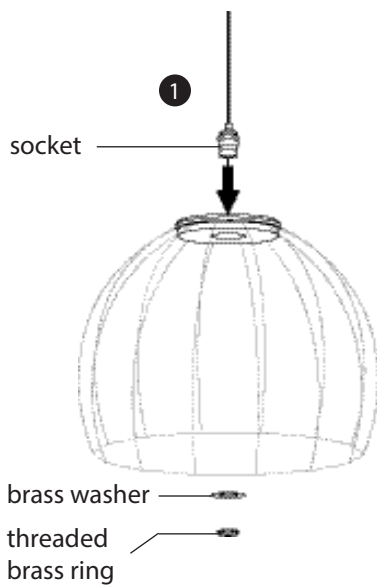
Bulb and Dimmability Notes:

The ability to dim the fixture will depend on the type of bulb selected. The Medium Base (E26) version of this fixture accepts Medium Base (E26) based lamps (not included). Ensure that the lamps do not exceed the maximum rated wattage listed on socket.



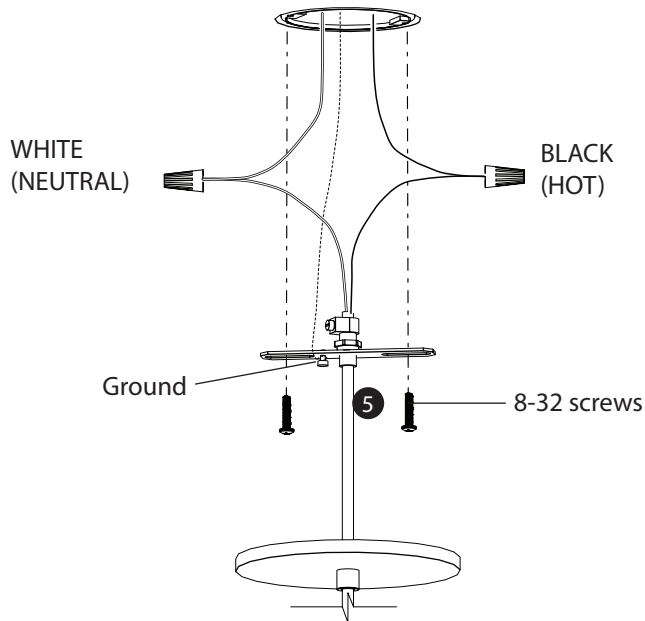
Adjusting the Fixture Height

- 1 Feed the socket through the top of the wood shade hub and place the brass washer over the socket from inside the shade and use the threaded brass ring to secure the socket onto the shade.
- 2 Loosen the set screw on the cord grip. Feed the cord from your light source through the canopy nut, the canopy, the crossbar assembly, and the cord grip.
- 3 Measure the desired height (H) that you want the fixture to hang below the ceiling. Once you have reached your desired length, tighten the set screw on the cord grip.



Making Electrical Connection

- 4 Pull the line voltage wires from the junction box. Use wire nuts to make electrical connections between fixture leads and line service. Connect a ground wire to the ground screw on the crossbar assembly.
- 5 Use the provided 8-32 screws to secure the crossbar assembly to the junction box.



Final Steps

- 6 Push the canopy upwards until the canopy is flush with the ceiling. Use the canopy nut to secure the canopy.
- 7 Insert the bulb into the fixture.

