

General Product information

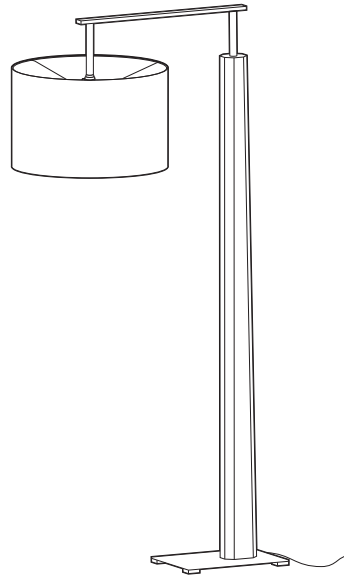


This product is suitable for indoor dry locations only.

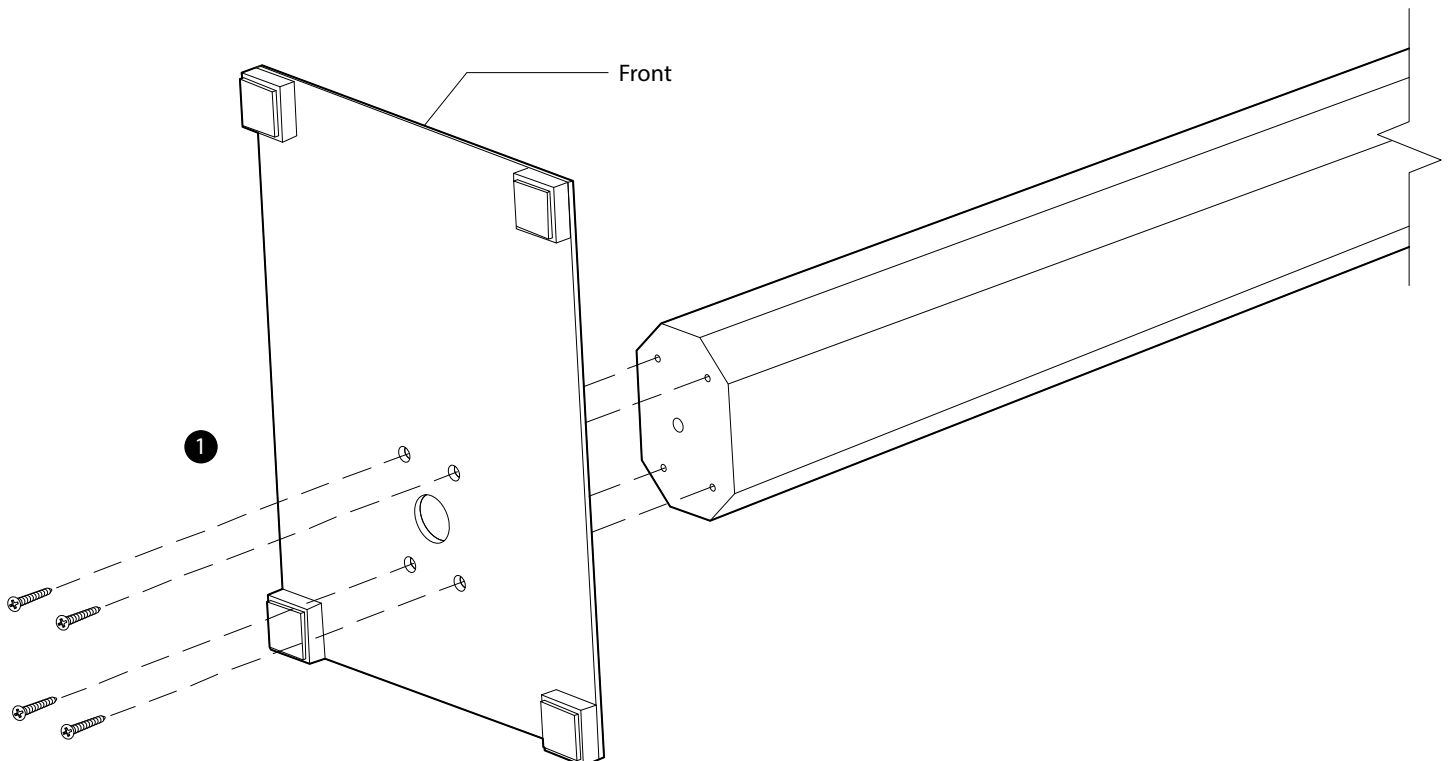
IMPORTANT SAFETY INSTRUCTIONS

This portable luminaire has a polarized plug (one blade is wider than the other) as a feature to reduce the risk of electric shock. This plug will fit in a polarized outlet only one way.

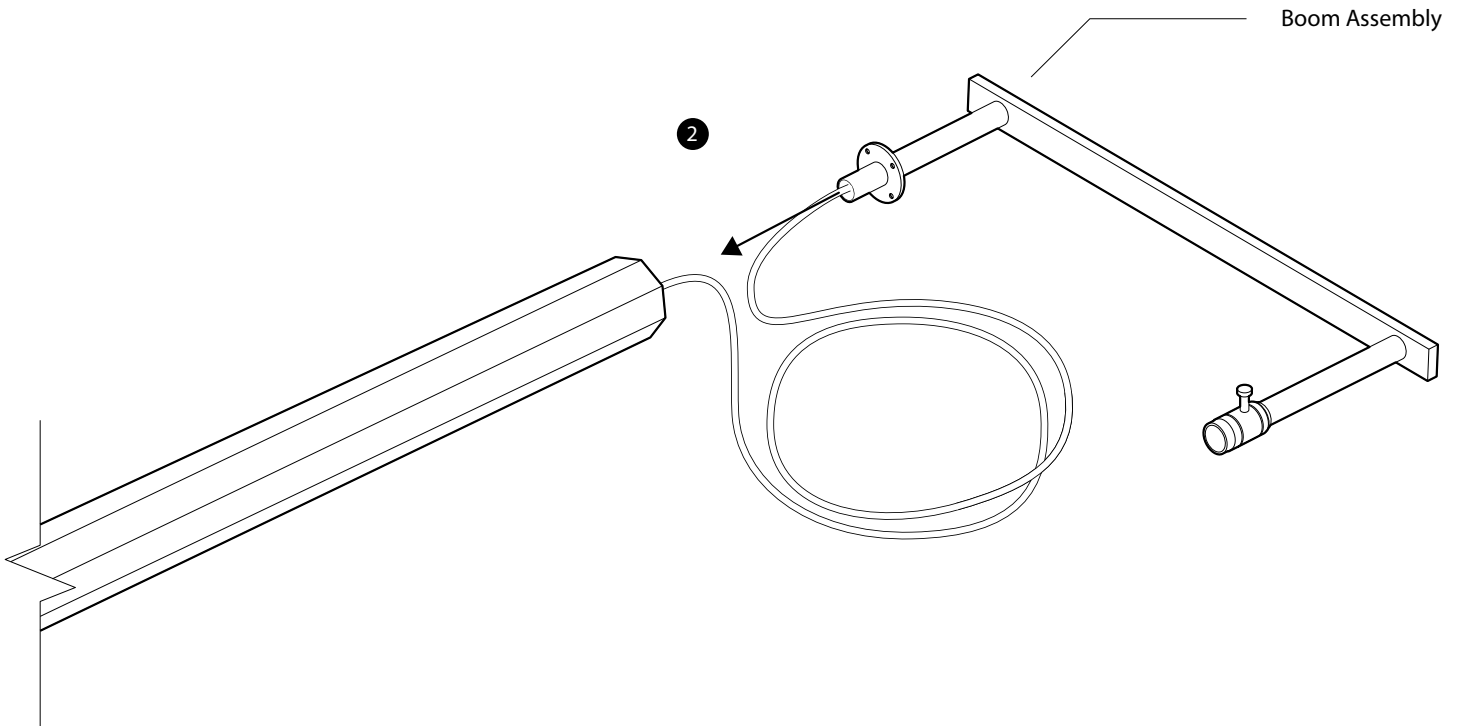
If the plug does not fit fully in the outlet, reverse the plug. If it still does not fit, contact a qualified electrician. Never use with an extension cord unless plug can be fully inserted. Do not alter the plug.



- 1 Align the screw holes and secure the base to the wood mast with provided screws.

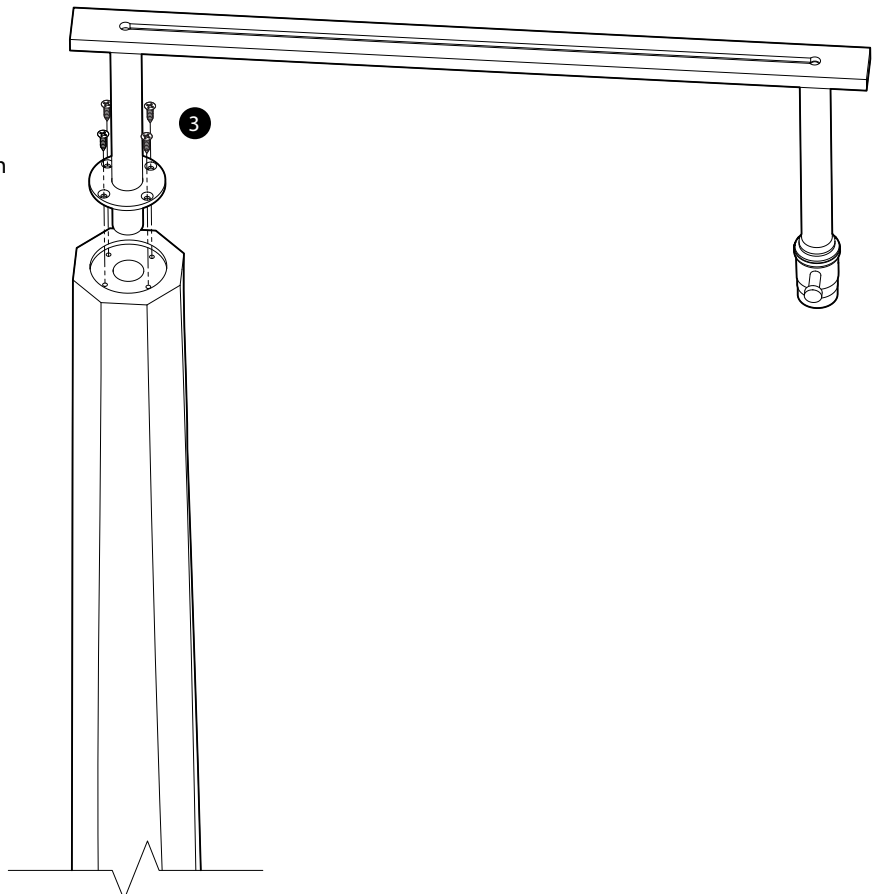


- 2 Feed wire from "boom assembly" into and through the wood body.

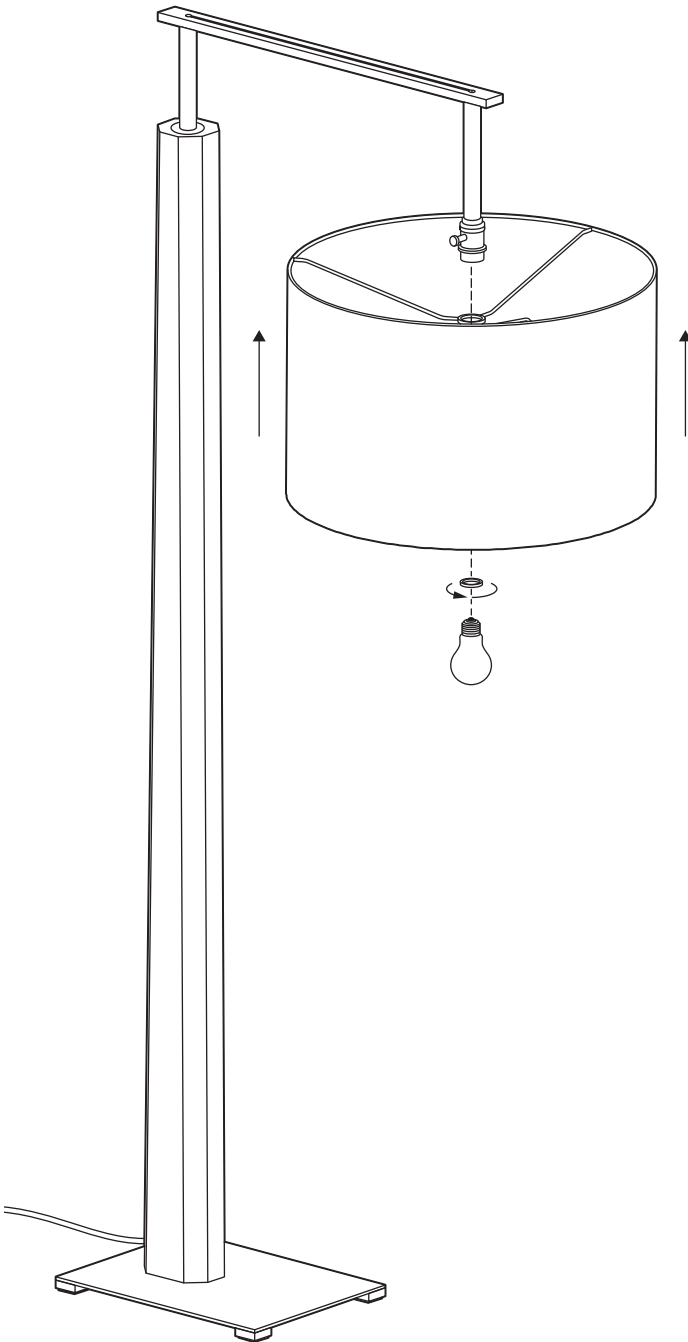


- 3 Feed the cord through the large hole in the base. Align the screw holes and secure the light arm top to the wood mast with provided screws.

\*Be aware of orientation. The boom assembly arm aligns with the long part of the metal base.



- Stand the fixture up and slide the shade on to the end of the light arm. Next, screw on the provided metal ring to secure the shade. Then screw in the provided light bulb.



- On the cord provided, you will see that if you hold the cord flat, one side edge is smooth while the other is ribbed. Hold the cord so that the ribbed side will be lined up with the sharp prong extending from the wide prong as shown in the graphic below.

Once you have done that, insert the end of the cord into the hole at the closed end of the plug and set the rest of the cord down into the groove. Press the cord down so that it is pierced by the sharp prongs.

- Press the plug cap down on to plug at its end.
- Slide plug cap all the way until it is flush with the end of the plug.

