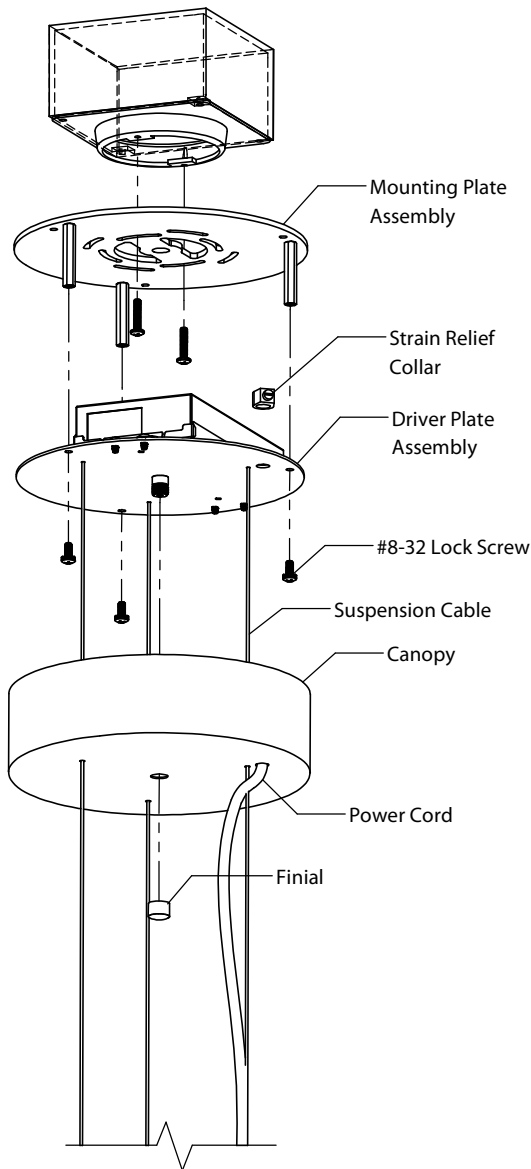


CAUTION - RISK OF FIRE

This product requires installation by a qualified electrician. Before installing be sure to read all instructions and **TURN POWER OFF TO THE JUNCTION BOX**



Installation Steps:

1. Turn off power to junction box.
2. Fasten the Mounting Plate Assembly to the J-box.
Warning: It is the installer's responsibility to ensure the fasteners used are suitable to support the weight of the fixture given the site conditions. Use additional blocking if necessary.
3. Connect driver to AC source and ground leads.
4. Connect 0-10V dimming leads if 0-10V dimming control is desired. If not being used, cap each 0-10V lead separately.
5. Feed the three suspension cables through the small holes in the Driver Plate.
6. Fasten the Driver Plate Assembly to the Mounting Plate Assembly using the included #8-32 Lock Screws.
7. Feed the three suspension cables through the canopy, through the holes on the top diffuser and into the cable grippers on the top of the cross assembly.
Important: Check that the Power Cord holes in the Canopy and Driver Plate Assembly are aligned.
8. Raise the fixture to the desired height and level by adjusting each suspension cable length.
9. Feed the Power Cord through the Canopy & Driver Plate Assembly. Pull tight and set the Strain Relief Collar.
10. Make connections between the Power Cord leads and the driver DC output leads.
11. Slide the canopy up the cables to cover the Mounting Plate & Driver Plate assemblies. Secure in place using the included Finial.

Junction Box Requirements: This fixture can be mounted to most standard junction boxes. It is the installer's responsibility to ensure that the site conditions, junction box, and fasteners used are suitable to support the weight of the fixture.

12) Raise the shade towards the cross assembly. Align the brackets on the shade with the screws at the ends of the cross assembly. Use the lock nuts to secure the shade onto the light engine.

Aliso Pendant Parts List		
Item	Description	QTY
1	Canopy Package	1
2	Top Diffuser	1
3	Cross Assembly	1
4	Lock nut	4
5	Shade	1

