

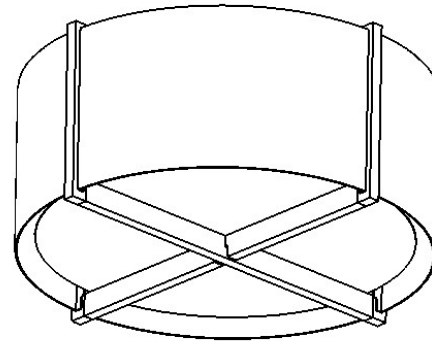
General Product Information

This product is suitable for indoor, dry locations only.

This product is to be installed to a standard 4" junction box with 3" round plaster ring or an octagon junction box.

CAUTION - RISK OF FIRE

This product requires installation by a qualified electrician. Before installing be sure to read all instructions and **TURN POWER OFF TO THE JUNCTION BOX**



Installation Procedure:

- 1 Remove the shade assembly from the light engine by removing the lock nuts holding the shade to the light engine. **DO NOT** throw away the lock nuts, they will be needed in the last step of the installation process.
- 2 Fasten the universal crossbar to the ceiling junction box using the included 8-32X0.75in machine screws.
- 3 Place the top diffuser over the light engine with the frosted side facing upwards.
- 4 Pull the line voltage wires out of the junction box. Ground the fixture using the green grounding screw on the universal crossbar. Make connections between fixture leads and line voltage wires. Once all connections have been made, push the wire nuts into the junction box.
- 5 **CRITICAL NOTE:** If 0-10V dimming control is to be used, connect purple and grey/pink driver leads to 0-10V dimmer. Otherwise, the tinned ends of the leads should be snipped off and the leads should be capped individually such that they remain isolated from one another.
- 6 Unscrew the white thumb nut to remove the LED heatsink from the canopy assembly. This allows access to screw mounting holes.
- 7 The universal crossbar has two tapped 8-32 holes near its outer perimeter. Fasten the Canopy Assembly to the universal crossbar using the included 8-32 x 2.25in machine screws.
- 8 Once the Canopy Assembly is secured, tighten the white thumb nut onto the pipe nipple to secure LED disc to canopy assembly.
- 9 Raise the shade towards the canopy assembly. Align the brackets on the shade with the screws at the ends of the canopy assembly. Use the lock nuts to secure the shade onto the light engine.

