


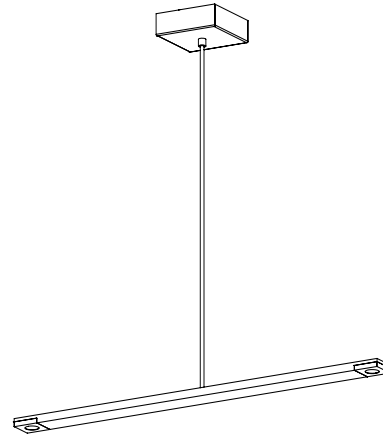
General Product information 

This product is suitable for indoor dry locations only.

This product can be dimmed with most standard dimmers. Please see "Dimmer Compatibility" section of these instructions for more information.

 **CAUTION - RISK OF FIRE** 

This product requires installation by a qualified electrician. Before installing be sure to read all instructions and **TURN POWER OFF TO THE JUNCTION BOX**



### Adjusting the Fixture Height

- 1 Measure the desired height (H) that you want the fixture to hang below the ceiling.
- 2 Cut off the non threaded end of the aluminum tube such that the length remaining of the tube with the threaded end has a length equal to the desired height (H).

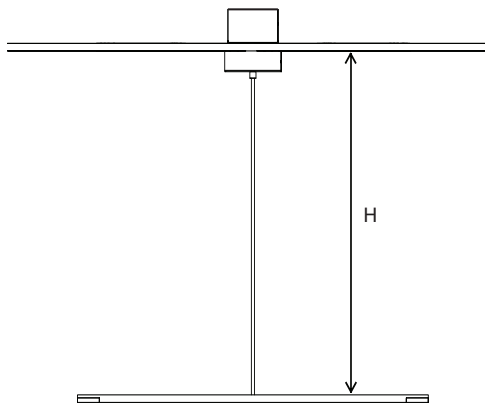


Figure 1

### Attaching the Tube to the Extended Crossbar

- 6 Feed the tube and fixture wires through the canopy nut, canopy, cross bar assembly, and the collar.
- 7 Tighten the set screw in the side of the collar with the supplied allen wrench.

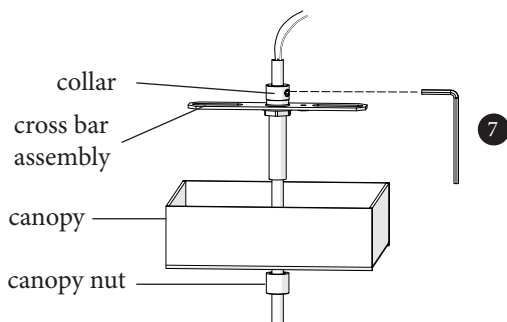


Figure 3

### Attaching the Tube to the Fixture

- 3 Feed the fixture wires through the tube.
- 4 Screw the tube into the fixture body. Make sure the tube is perpendicular to the fixture body during this step to prevent cross threading
- 5 If the ends of the rubber strip pull up, simply press them back into the groove.

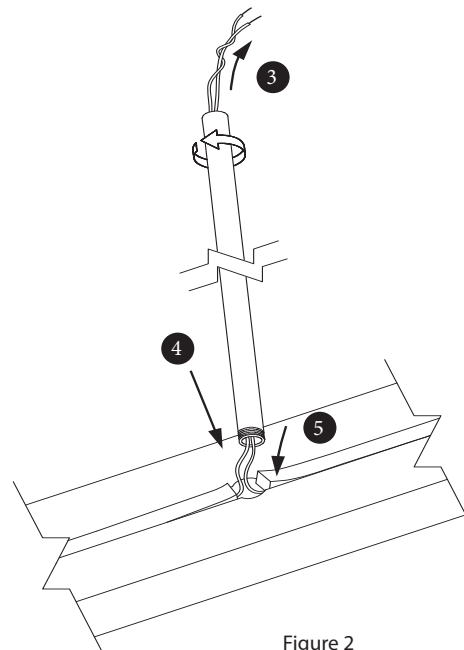


Figure 2

### Mounting the Fixture

- 8 Mount the crossbar assembly onto the junction box using the supplied 8-32 x 0.750" screws.

### Making Electrical Connections

- 9 Make electrical connections as shown in figure 4 using the supplied wire nuts.
- 10 CRITICAL NOTE: If 0-10V dimming control is to be used, connect purple and gray driver leads to 0-10V dimmer. Otherwise, the tinned ends of these leads should be snipped off and the leads should be capped individually such that they remain isolated from one another.
- 11 Once all connections have been made, push all excess wire and connections into the junction box. Raise the canopy upwards until flush with the ceiling and secure the canopy by screwing the canopy nut onto the threaded stem on the cross bar assembly.

#### WARNING

THE LED DRIVER IS A DC DEVICE AND MUST BE ATTACHED TO THE LED LIGHT ENGINE AS SHOWN. CONNECTING THIS DEVICE INCORRECTLY WILL CAUSE SEVERE DAMAGE.

