

### General Product information



This product is suitable for indoor dry and damp locations only.

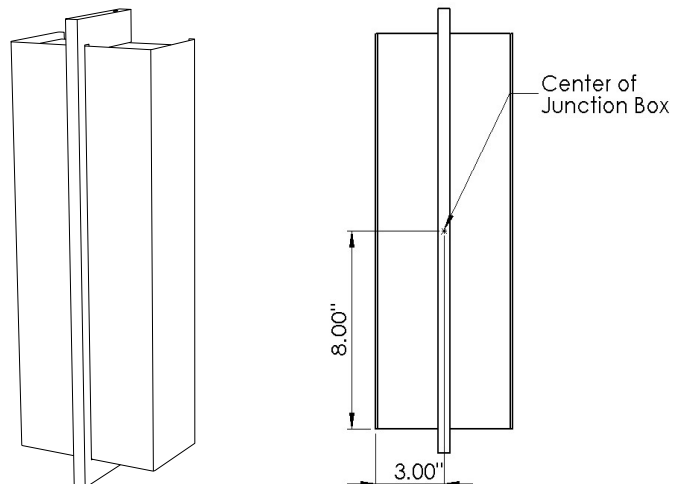
This product is to be installed to a standard 4" junction box with 3" round plaster ring or an octagon junction box, wall only.



### CAUTION - RISK OF FIRE

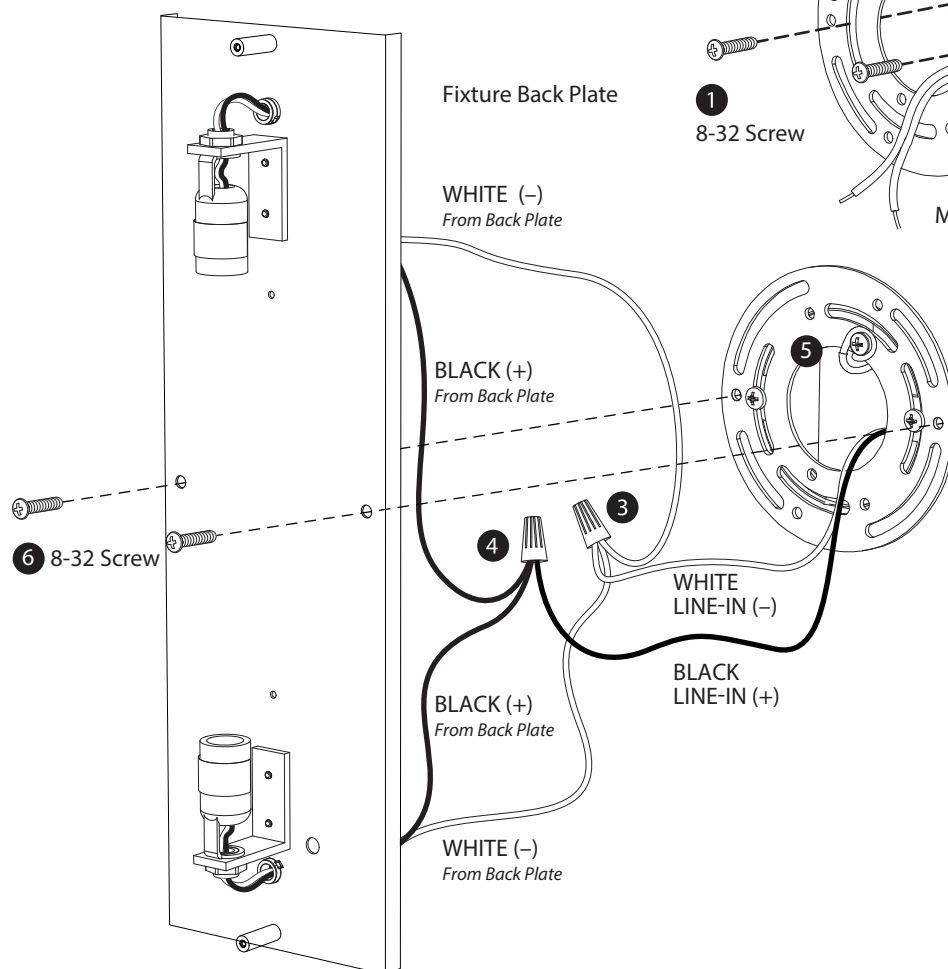
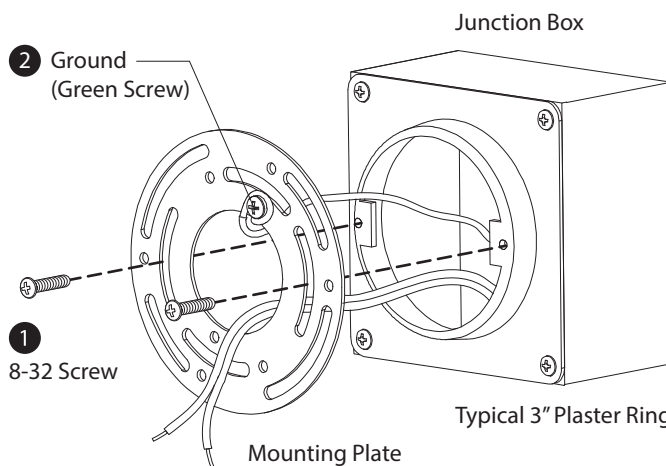


This product requires installation by a qualified electrician. Before installing be sure to read all instructions and **TURN POWER OFF TO THE JUNCTION BOX**



### Installing the Mounting Plate

- 1 Attach the mounting plate to the junction box using the supplied #8-32 screws. Orient and level the plate as shown in the figure.
- 2 Attach a suitable ground wire to the green screw in the mounting plate



### Attaching the Fixture Back Plate

- 3 Connect all white (neutral) fixture wires to line-in (neutral) power line with wire nuts.
- 4 Connect the black (hot) fixture wires to line-in (hot) with a wire nut.
- 5 Place all wires in the junction box.
- 6 Mount the fixture back plate to the mounting plate using the supplied #8-32 screws.

### Attaching the Shade

- 7 Install E12 Base bulbs (not included).  
Max length - 4.0", Max diameter - 2.25"
- 8 Place shade on back plate by aligning shade brackets to the mounting posts on fixture back plate
- 9 Secure shade by tightening set screws on top and bottom of shade with allen wrench provided

