

General Product information



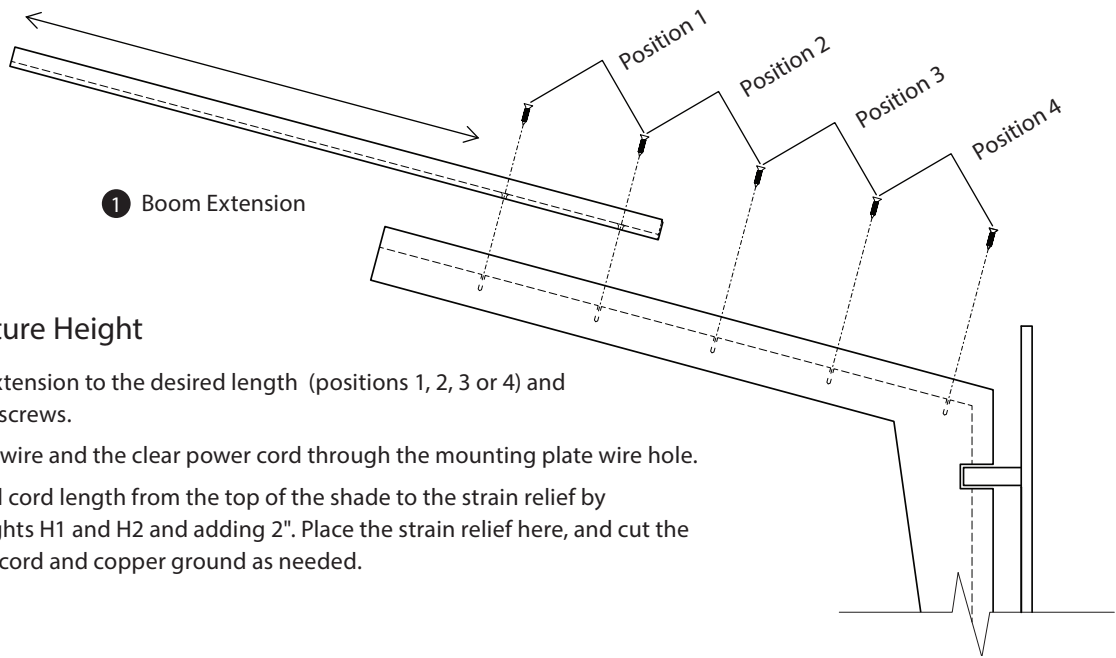
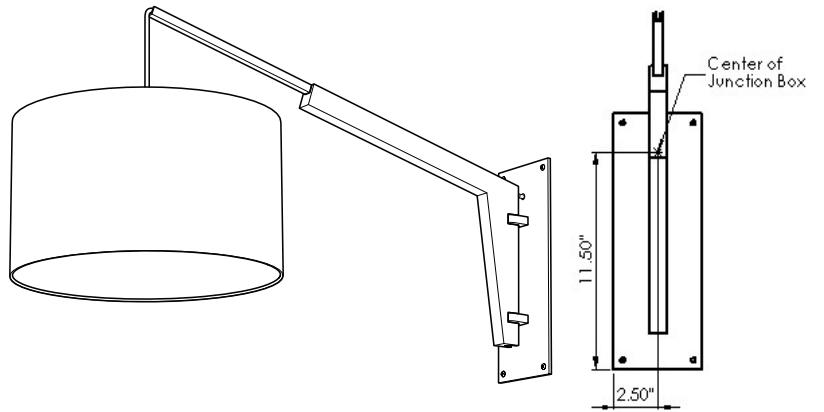
This product is suitable for indoor dry locations only.

This product is to be installed to a standard 4" junction box with a 3" round plaster ring or an octagon junction box.

CAUTION - RISK OF FIRE

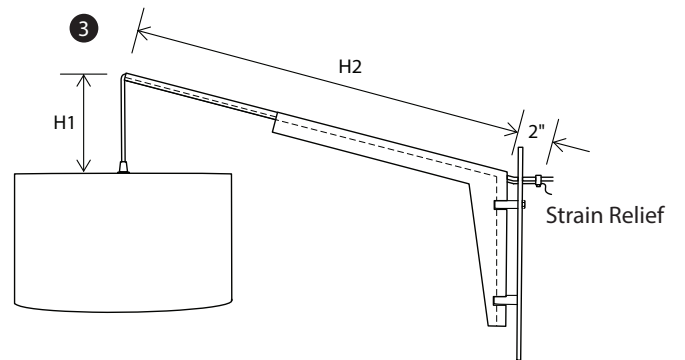
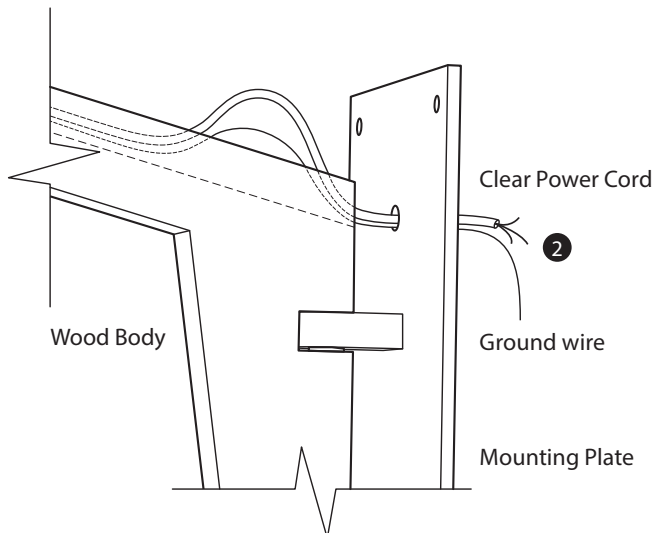


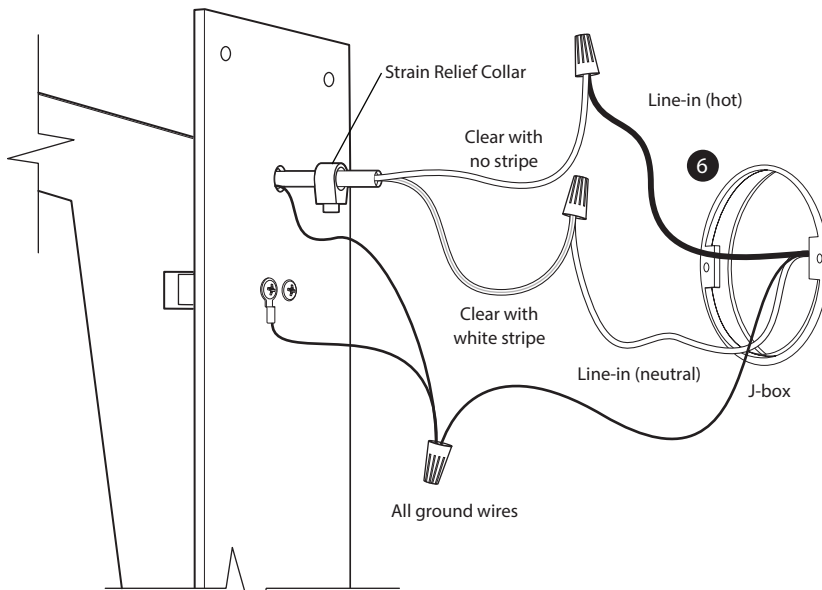
This product requires installation by a qualified electrician. Before installing, be sure to read all instructions and **TURN OFF POWER**.



Adjusting the Fixture Height

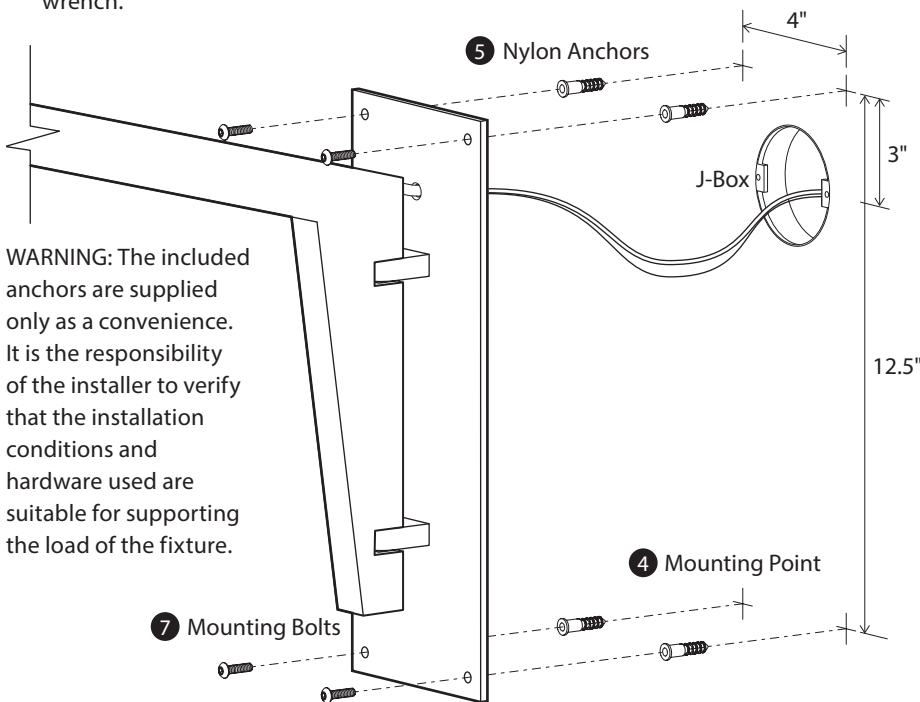
- 1 Adjust the boom extension to the desired length (positions 1, 2, 3 or 4) and secure with (2x) #4 screws.
- 2 Thread the ground wire and the clear power cord through the mounting plate wire hole.
- 3 Determine the total cord length from the top of the shade to the strain relief by combining the heights H1 and H2 and adding 2". Place the strain relief here, and cut the excess clear power cord and copper ground as needed.



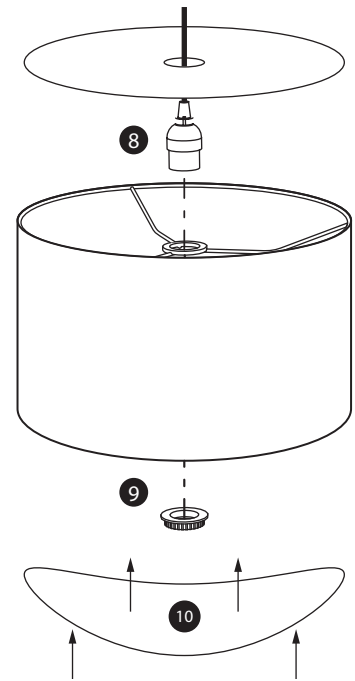


Mounting the Fixture

- 4 Use the fixture cover as a template at the desired location and confirm that the fixture is leveled. Mark the mounting hole locations and then remove the template.
- 5 Install (4x) nylon anchors to the wall at the mounting points by using a 1/4" pilot drill.
- 6 While supporting the fixture, connect the line-in leads to the fixture clear leads as shown above. Group the ground wires from the metal boom, the mounting plate, and the J-Box together and then, secure them with wire nuts.
- 7 Mount the fixture to the wall using the mounting bolts and the provided allen wrench.



WARNING: The included anchors are supplied only as a convenience. It is the responsibility of the installer to verify that the installation conditions and hardware used are suitable for supporting the load of the fixture.



Attaching the Shade

- 8 Unscrew the socket ring from the socket assembly. Then, place the socket body through the top diffuser and the center ring on the shade assembly.
- 9 Re-fasten the socket ring onto the socket body to secure the shade assembly. Rest the top diffuser on the metal shade supports.
- 10 To install the bottom diffuser, carefully bend it along the edges and place it inside the shade assembly. Then, un-bend the diffuser inside the shade assembly and lower it to rest on top of the bottom ring of the shade assembly.

Adjusting the Fixture

- 11 To secure the orientation of the boom, tighten the #6 screw on the hinge pin located on the underside of the wood body.

