

General Product information

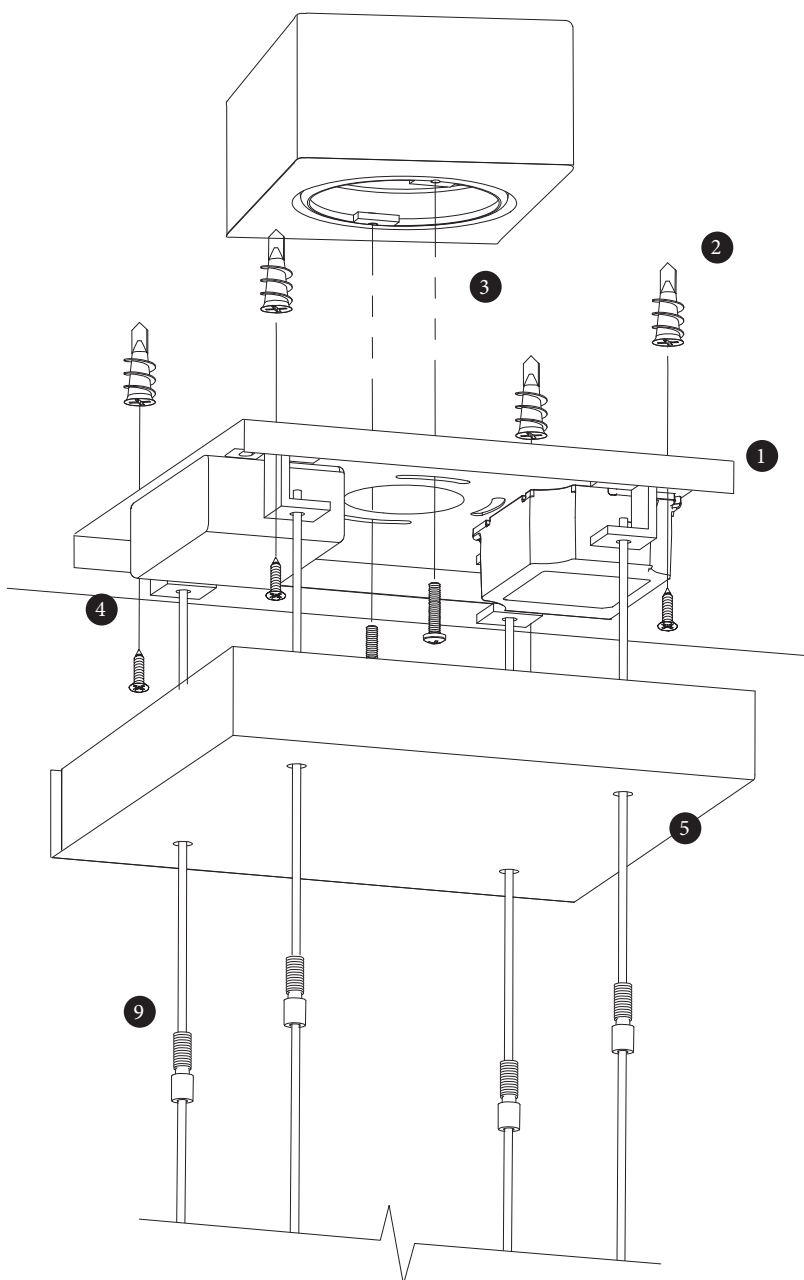
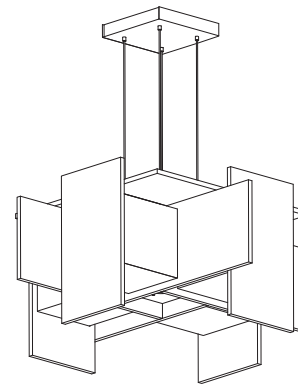
This product is suitable for indoor dry locations only.



CAUTION - RISK OF FIRE



This product requires installation by a qualified electrician. Before installing be sure to read all instructions and **TURN POWER OFF TO THE JUNCTION BOX**



Adjusting the Fixture Height

- 1 Adjust the strain relief tabs on the four cables to allow the fixture to hang at the desired height. Take care to make the lengths equal so the fixture will hang level.

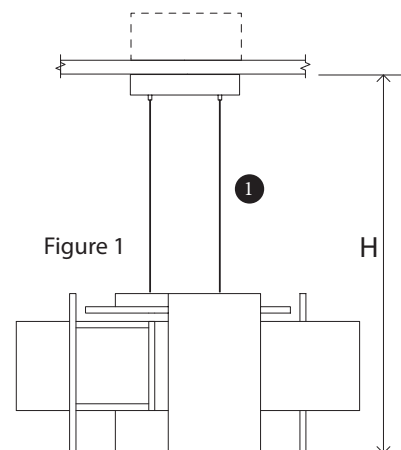


Figure 1

Attaching the Back Plate

- 2 Using the supplied template, install the included four anchors in the ceiling. **THESE ANCHORS MUST BE USED TO SUPPORT THE FIXTURE'S WEIGHT.**
- 3 Mount the junction box using the supplied #8-32 screws.
- 4 Install the supplied #8 screws through the backplate and into the anchors.
- 5 Make fine adjustments to the cable lengths to level the fixture.

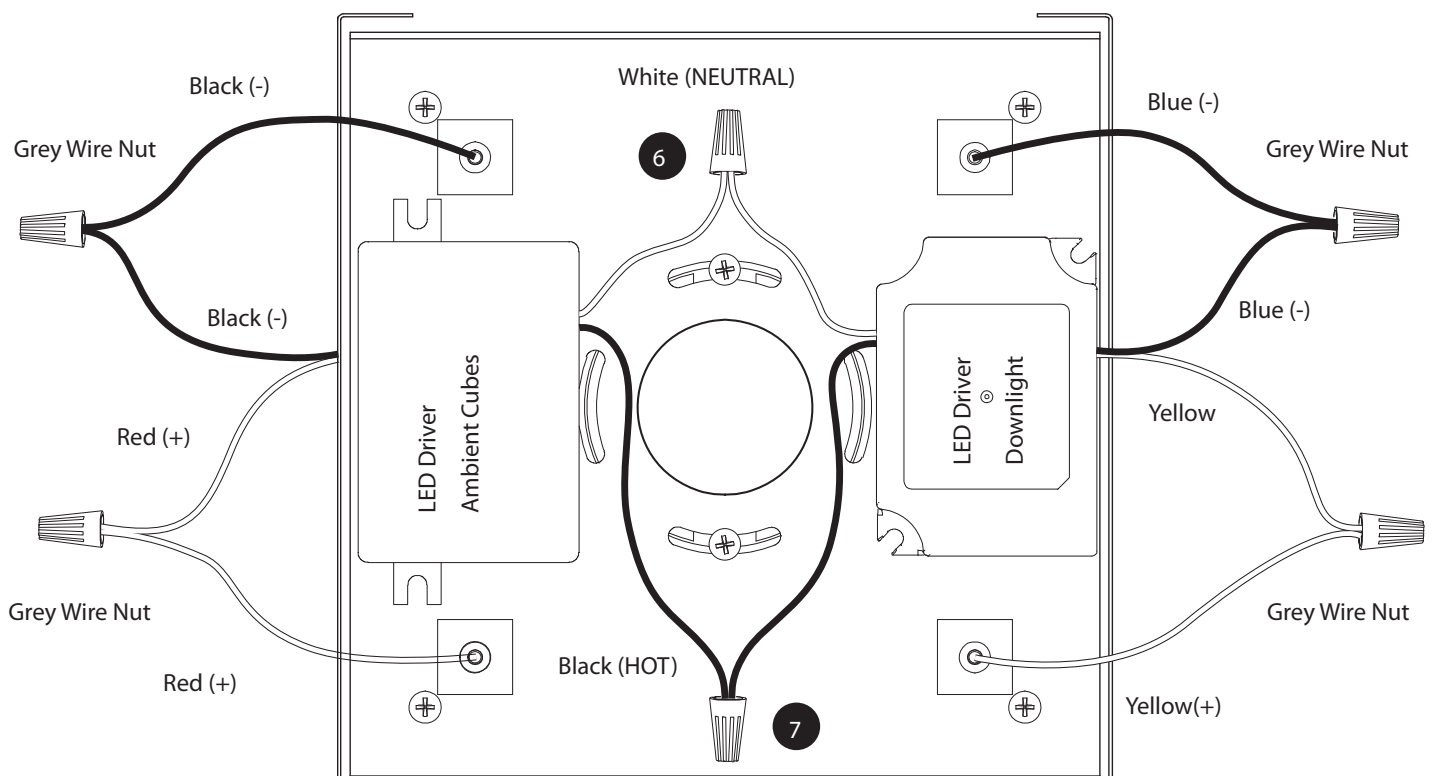
** (See 6-9 on next page for electrical connections)

Making the Electrical Connections

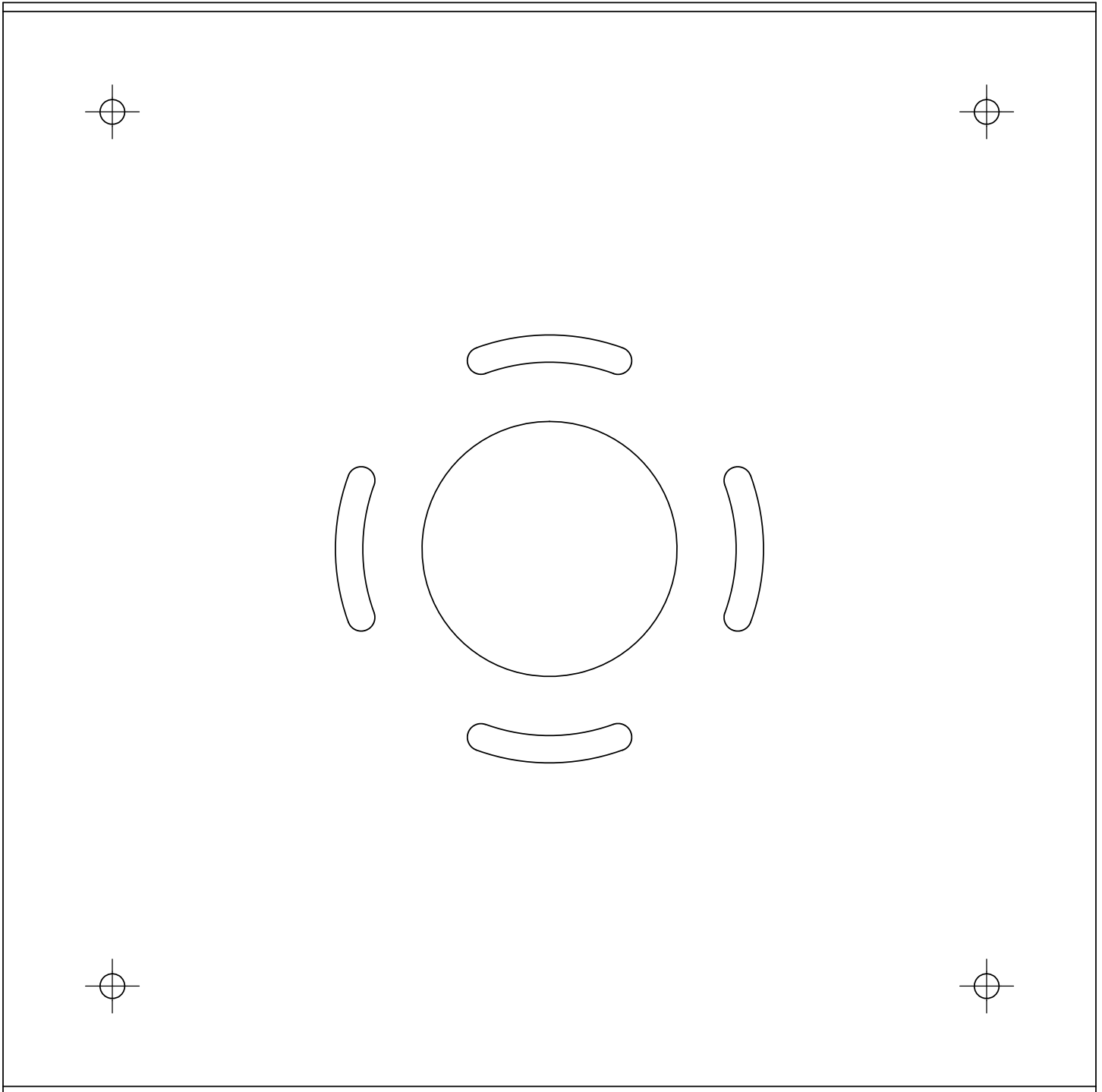
Note: The fixture comes with all of the connections already made except for the incoming AC power. However if you have to disconnect the fixture from the back plate please make note of any connections you have to undo and refer to the diagram below.

Note: The downlight and the four ambient glowing white cubes are powered by separate LED drivers. In most installations they are controlled together with one switch, however if desired they can be connected to separate switches.

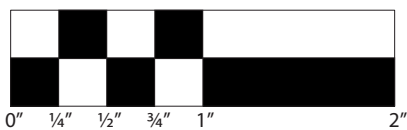
- 6 Connect the white input fixture wires to the neutral power line with a wire nut.
- 7 Connect the black input fixture wires to the hot power line with a wire nut.
- 8 Coil up the excess wire and secure with the included twist ties.
- 9 Slide the canopy up and screw in the canopy fasteners.



Back Plate Template



Template to be printed out at 1:1
scale, check scale below.



100% Scale

Important Note!

This fixture comes with a universal driver that can operate within an input voltage range of 120 and 277 V AC. See the table below to understand which types of dimming are available for a particular input voltage.

Input Voltage	Dimming Type
120	Triac, ELV, and 0-10V
240	0-10V only
277	0-10V only

The purple and grey leads exiting from the LED driver are there to enable dimming of the fixture through the use of a compatible 0-10V dimmer. If the fixture is to be dimmed using a 0-10V dimmer, follow the wiring instructions provided with the dimmer.

If the fixture is NOT to be dimmed using a 0-10V dimmer, the tinned ends of these leads should be snipped off and the leads should be capped individually such that they remain isolated from one another.

The wiring diagram below only applies if the fixture is to be controlled by a 0-10V dimmer.

