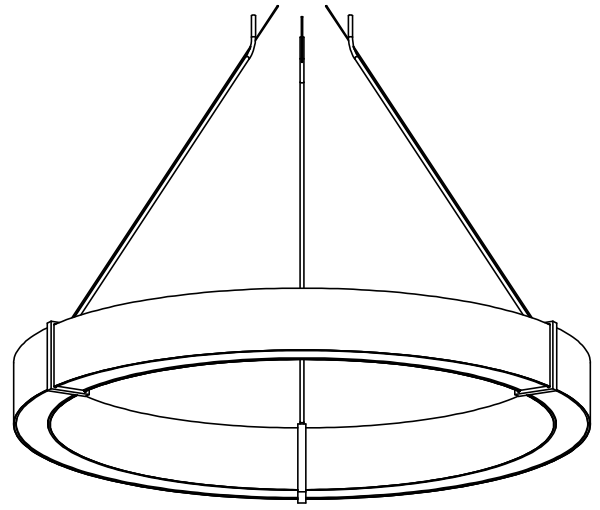
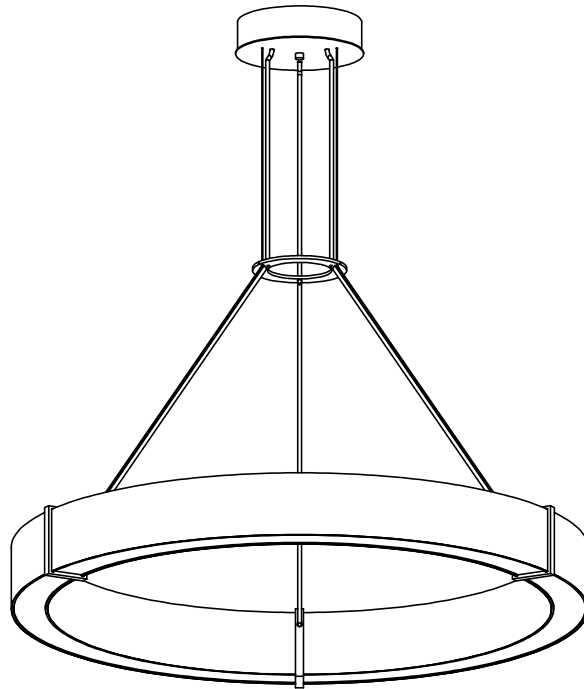


Gaviota, Straight Suspension Canopy



Gaviota, Angled Suspension Canopy



Gaviota, Collared Suspension Canopy



Driver Specs:

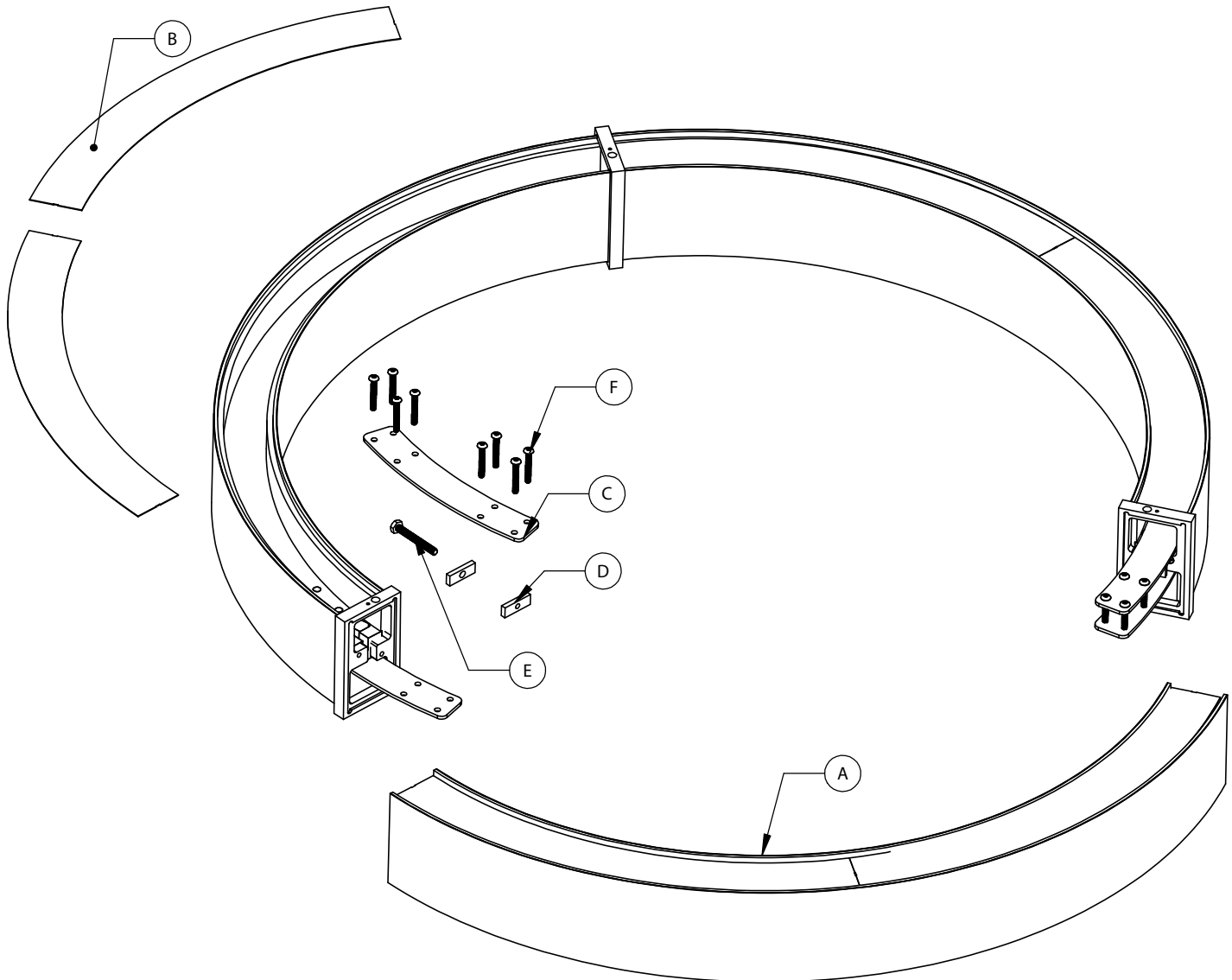
- 120-277VAC Input, 0-10V dimming down to 1% with dim to off
- Drivers to be mounted remote at a maximum distance of 50' including pendant drop distance, provided a 12 gauge wire is used.
- Driver dimensions are maximum 6.25" x 3" x 1.06", see tables for qty.

Direct Light					
Diameter	Watts	Delivered Lumens (Down)	Number of Drivers	Weight (Lbs)	Number of Electrical Cords
3'	74	6160	1	21	1
4'	100	8260	2	26	2
5'	124	10350	2	30	2
6'	151	12685	2	33	2
7'	177	14935	2	38	2

Direct and Indirect Light						
Diameter	Watts	Delivered Lumens (Down)	Delivered Lumens (Up)	Number of Drivers	Weight (Lbs)	Number of Electrical Cords
3'	110	6160	3165	2	21	2
4'	148	8260	4240	3	26	3
5'	183	10350	5320	3	30	3
6'	224	12685	6515	3	33	3
7'	263	14935	7670	3	38	3

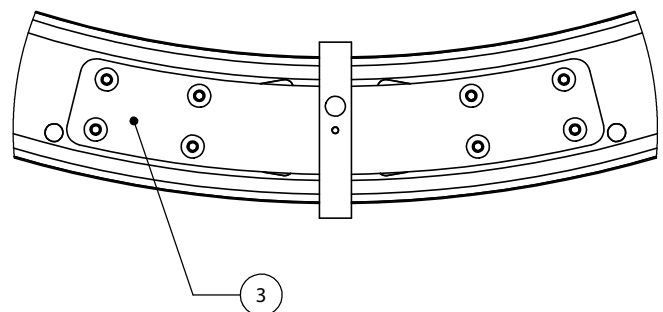
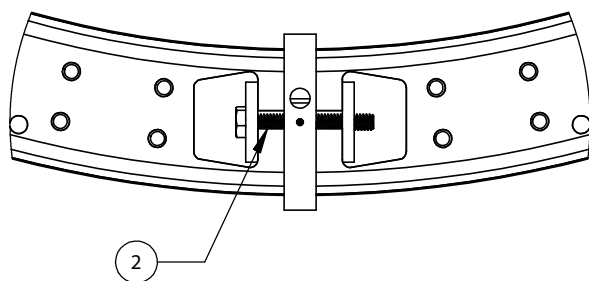
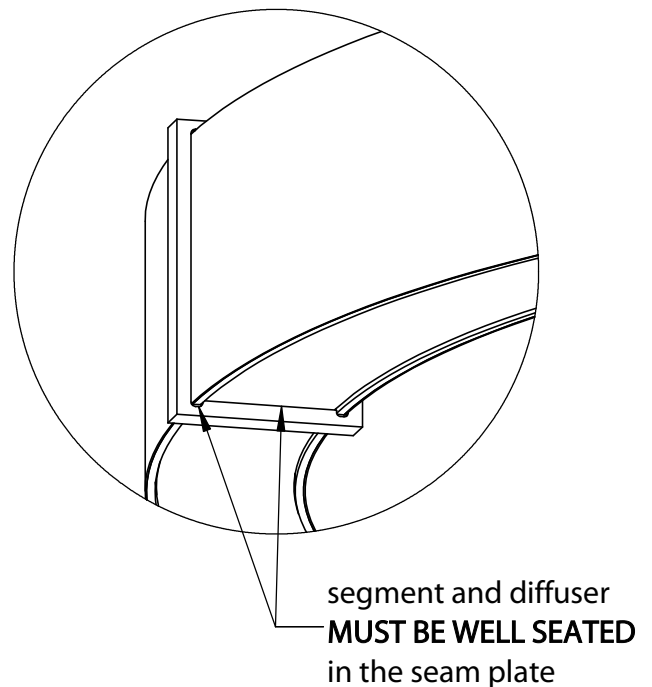
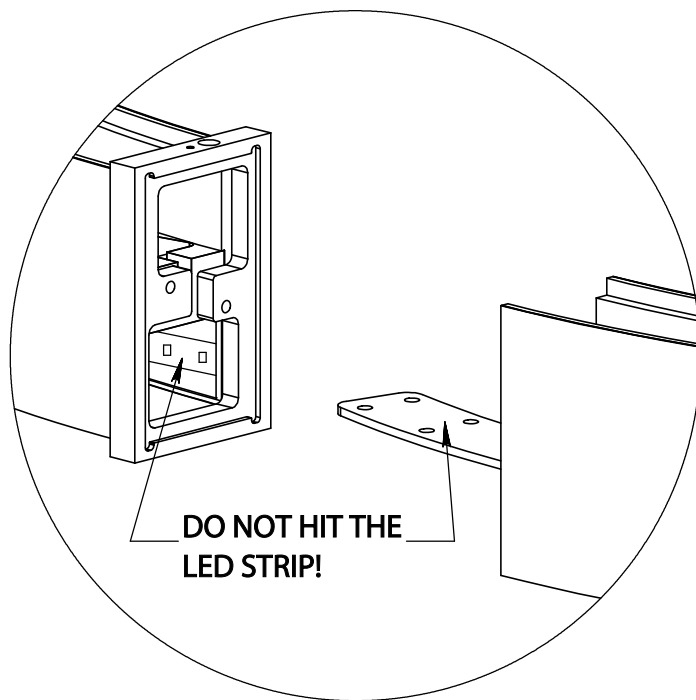


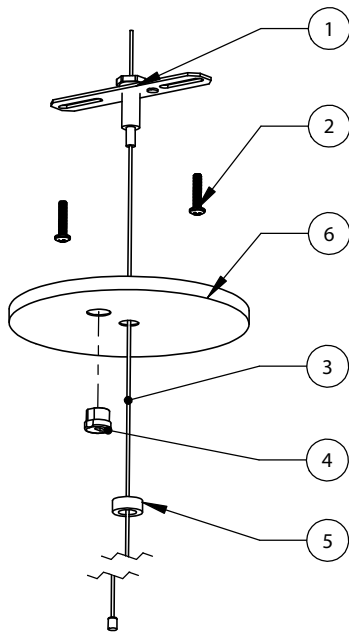
Gaviota Assembly Parts List		
Item	Description	QTY
A	Gaviota Segment	3
B	Gaviota Diffusers or Top Covers	3 or 6
C	Gaviota Connector Bracket	3
D	Draw bolt plate	3
E	Hex Head Screw, 1/4-20 Thread, 2in Length	3
F	Socket Cap Screw Button Head, #10-32, Length 1.375in	24



- 1) Carefully push the segments together and be **EXTREMELY CAUTIOUS** to not hit the LED strip.
- CRITICAL NOTE:** The segments and diffusers **MUST BE WELL SEATED** in the seam plate before continuing onto the next steps.
- 2) Place the hex head screw and the draw bolt plates in the pockets to hold the segments together.
- 3) Overlap the bracket with the eight holes on the segments and use the button head screws to secure the segments together.
- 4) Feed your cords out through the hole on the seam plate.
- 5) Insert the top covers or the top diffusers into the top of the segments.
- 6) For wire connections, follow the indicators on the labels.

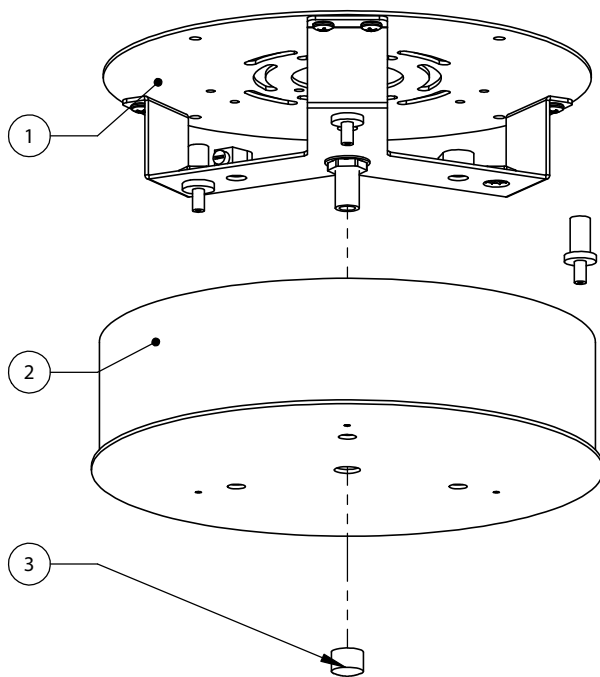
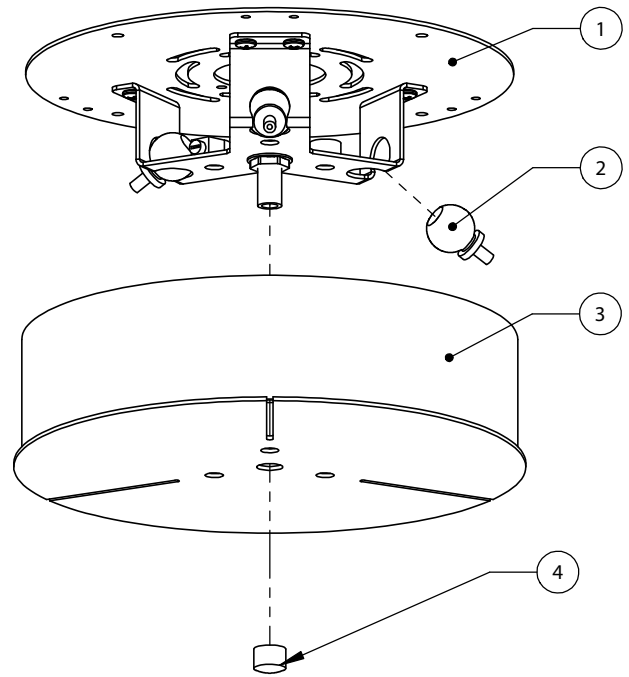
Note for Uplight and Downlight Only: Remove the labels after properly making all the wire connections. Use the provided wire clips to gather the wire connections near the seam plate to avoid shadows being cast from the wire connections.





Item No.	Description	Qty per canopy
1	Crossbar Assembly	1
2	Canopy	1
3	1/16" Suspension cable	1
4	Strain relief	1
5	Canopy nut	1
6	screws	2

Item No.	Description	QTY
1	Mounting Plate Assembly	1
2	Cable Gripper Ball	3
3	Canopy Cover	1
4	Canopy nut	1



Item No.	Description	QTY
1	Mounting Plate Assembly	1
2	Canopy Cover	1
3	Canopy Nut	1

