

## General Product information



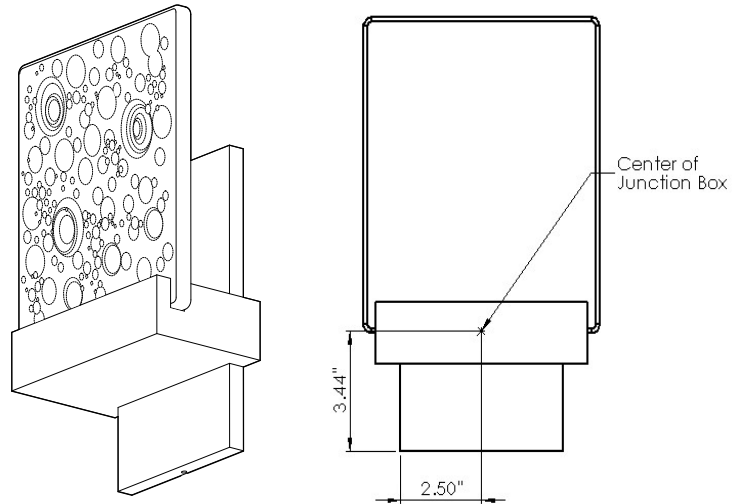
This product is suitable for indoor dry locations only.

The 120V input version of this product can be dimmed with Triac or ELV Dimmers. The 277V input version of this fixture is 0-10V dimmable only.

This product mounts to a standard 4" junction box with a 3" plaster ring, or an octagon junction box.

**CAUTION - RISK OF FIRE**

This product requires installation by a qualified electrician. Before installing be sure to read all instructions and **TURN POWER OFF TO THE JUNCTION BOX**



## Installing the Mounting Plate

- 1 Attach the mounting plate to the junction box using the supplied #8-32 screws. Orient and level the plate as shown in the figure.
- 2 Once level, mark the 4 corner holes for the drywall anchors. Remove the mounting plate, install all 4 drywall anchors and re-install mounting plate using all 6 screws to secure it to the wall. (ALL 4 corner mounting holes must be used due to the weight of the fixture!)
- 3 Attach a suitable ground wire to the green screw in the mounting plate.

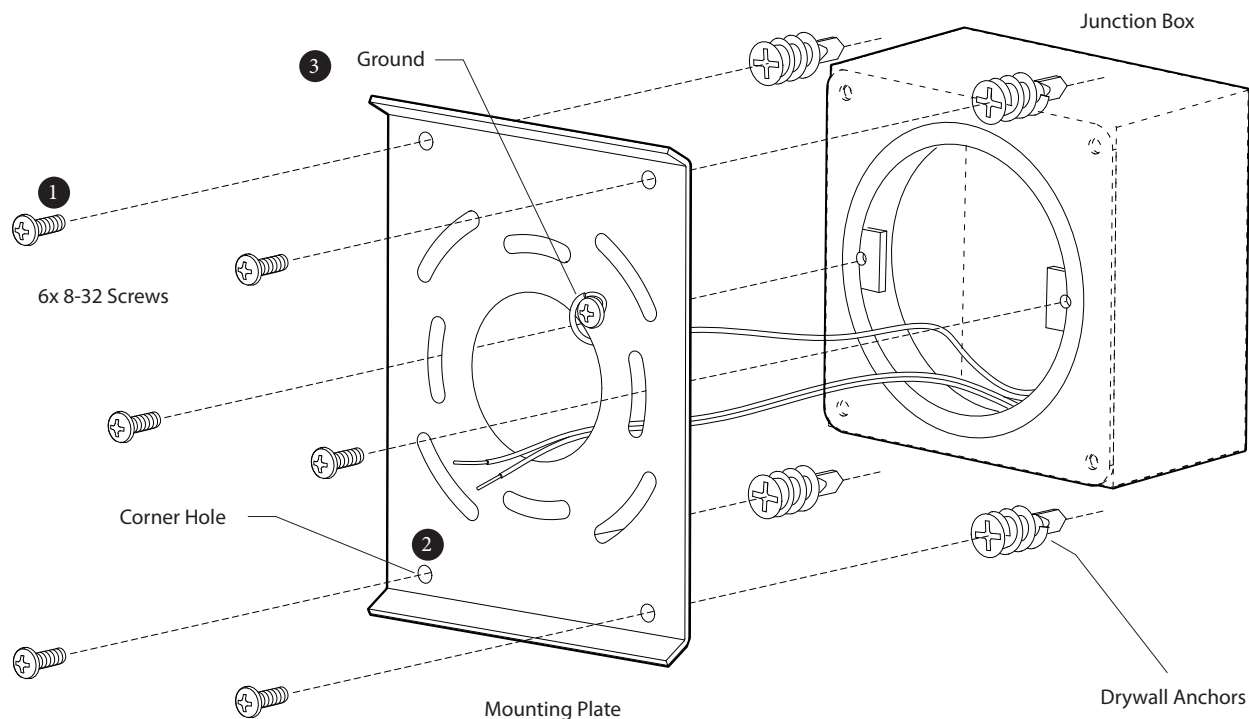
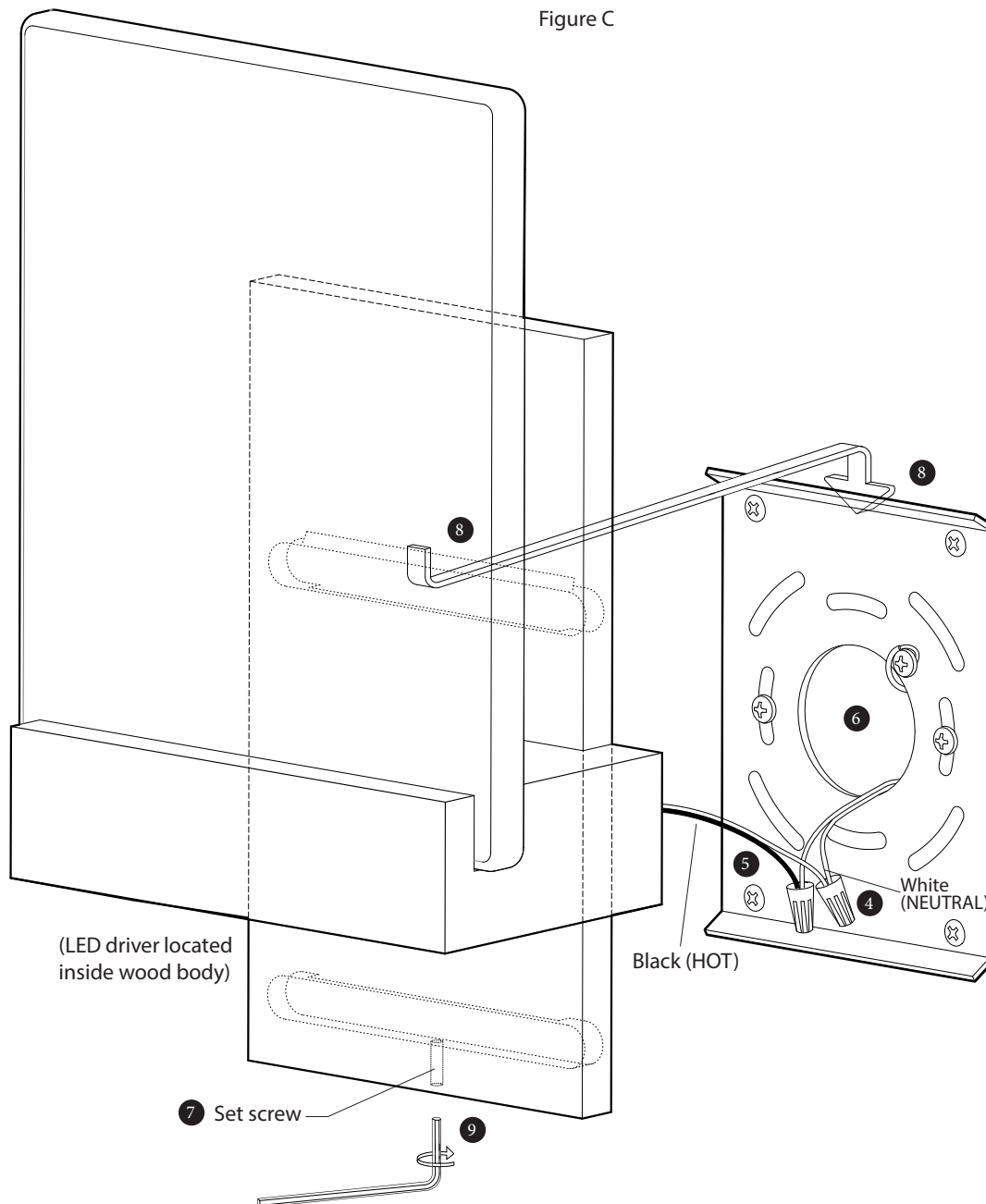


Figure C



### Attaching the Fixture

- 4 Connect the white fixture wire to the neutral power line with a wire nut.
- 5 Connect the black fixture wire to the hot power line with a wire nut.
- 6 Place all wires in the junction box.
- 7 Be sure set the screw at bottom of fixture is screwed out and not in the way when hanging the fixture on the mounting plate.

- 8 Hang fixture on mounting plate as indicated in Figure C. Top recess in back of the fixture will accept the bent tab at the top of the mounting plate.

### Securing the Shade

- 9 Screw in the provided set screw on the bottom of the fixture. This will secure the fixture in place.

## Important Note!

This fixture comes with a universal driver that can operate within an input voltage range of 120 and 277 V AC. See the table below to understand which types of dimming are available for a particular input voltage.

Input Voltage	Dimming Type
120	Triac, ELV, and 0-10V
240	0-10V only
277	0-10V only

The purple and grey leads exiting from the LED driver are there to enable dimming of the fixture through the use of a compatible 0-10V dimmer. If the fixture is to be dimmed using a 0-10V dimmer, follow the wiring instructions provided with the dimmer.

If the fixture is NOT to be dimmed using a 0-10V dimmer, the tinned ends of these leads should be snipped off and the leads should be capped individually such that they remain isolated from one another.

The wiring diagram below only applies if the fixture is to be controlled by a 0-10V dimmer.

