

General Product information



This product is suitable for dry and damp locations.

This product is dimmable using most standard TRIAC or ELV dimmers.

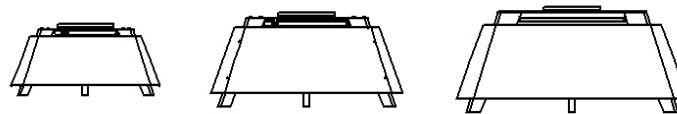
This product is to be installed to a standard 4" junction box with 3" round plaster ring or an octagon junction box.



CAUTION - RISK OF FIRE



This product requires installation by a qualified electrician. Before installing be sure to read all instructions and **TURN POWER OFF TO THE JUNCTION BOX**



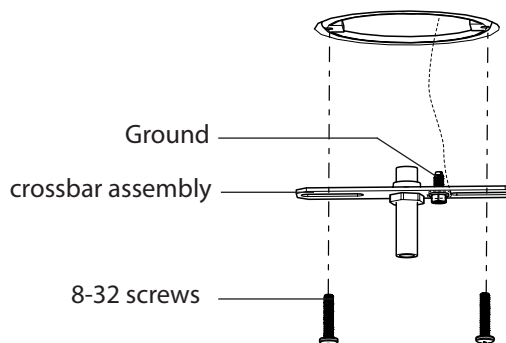
Casia 14

Casia 18

Casia 22

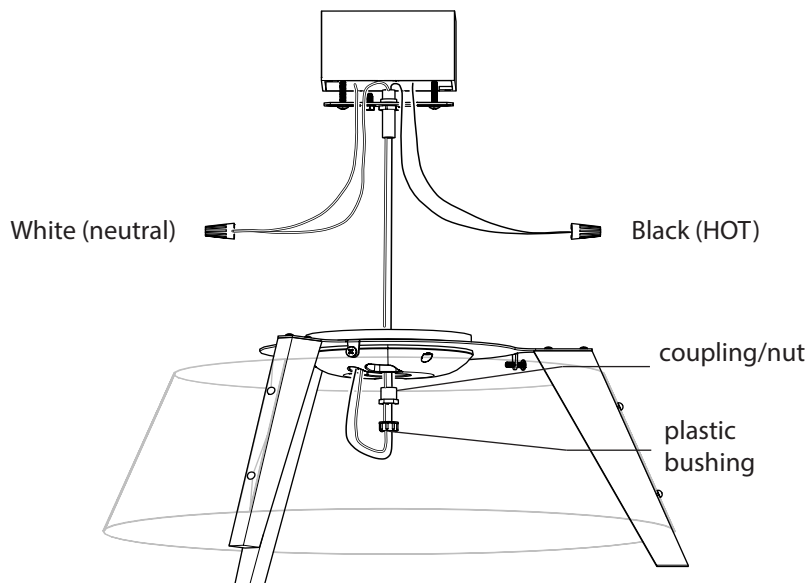
Installing Crossbar Assembly

- 1 Use the proved 8-32 machine screws to fasten the cross bar assembly onto the junction box. Connect a grounding wire to the green ground screw on the crossbar assembly.



Electrical Connections

- 2 Grab the black and white wires from the fixture and pull the wires through the center of the crossbar assembly. Pull out the fixture wires and the line voltage wires from the junction box and use wire nuts to make your electrical connections. After the electrical connections have been made place the wires into the junction box.
- 3 Raise the fixture to the ceiling and insert the threaded stud on the crossbar assembly through the center hole of the canopy and through the center hole of the fixture. Tighten the coupling/nut and plastic bushing onto the threaded stud to secure the fixture to the ceiling.



Securing Glass Dome

- 4 Raise the dome towards the fixture. Locate the three screws on the inner top portion of the fixture. Use a phillips screw driver to tighten the screws until the glass dome is secured onto the fixture. **CAUTION:** Over-tightening screws may result in damage to the glass shade.

