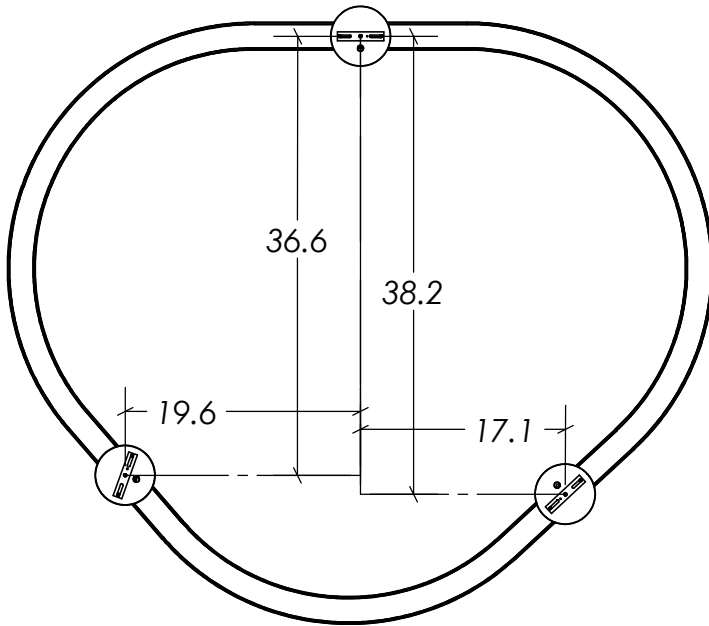
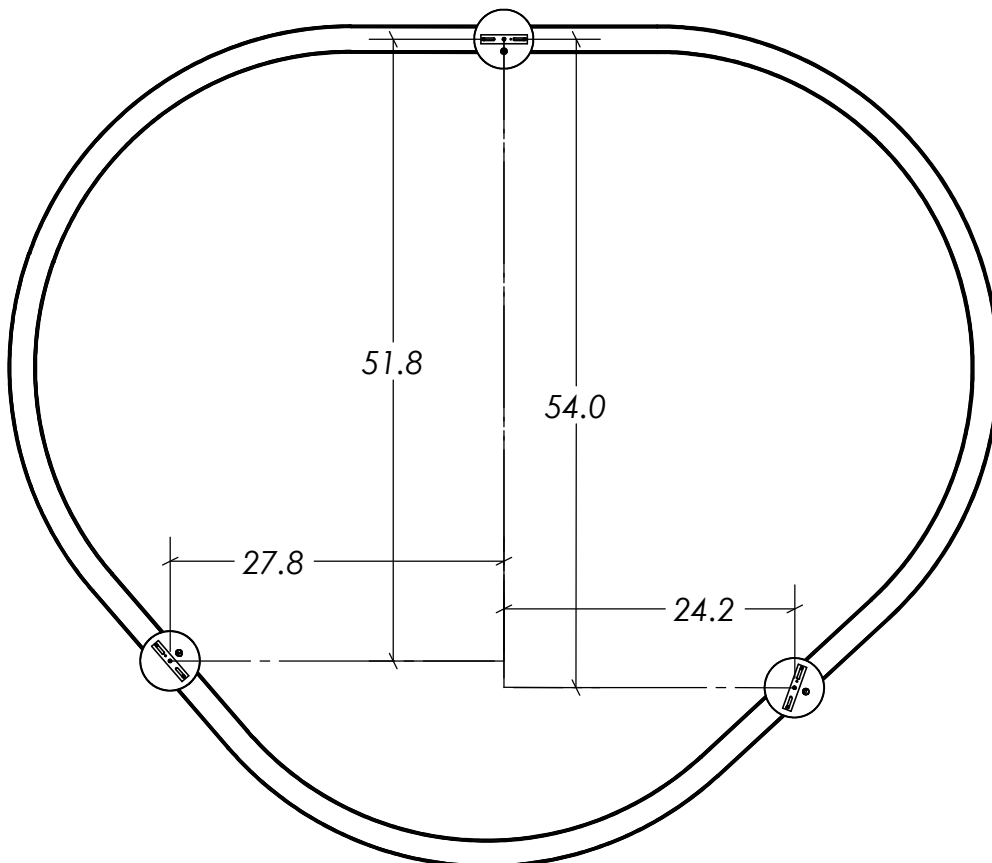


Dimensions given based on Floor Plan (above) perspective.
All units in inches.

We recommend placing the assemble fixture on the floor underneath the desired location and marking J-box locations with a laser level.



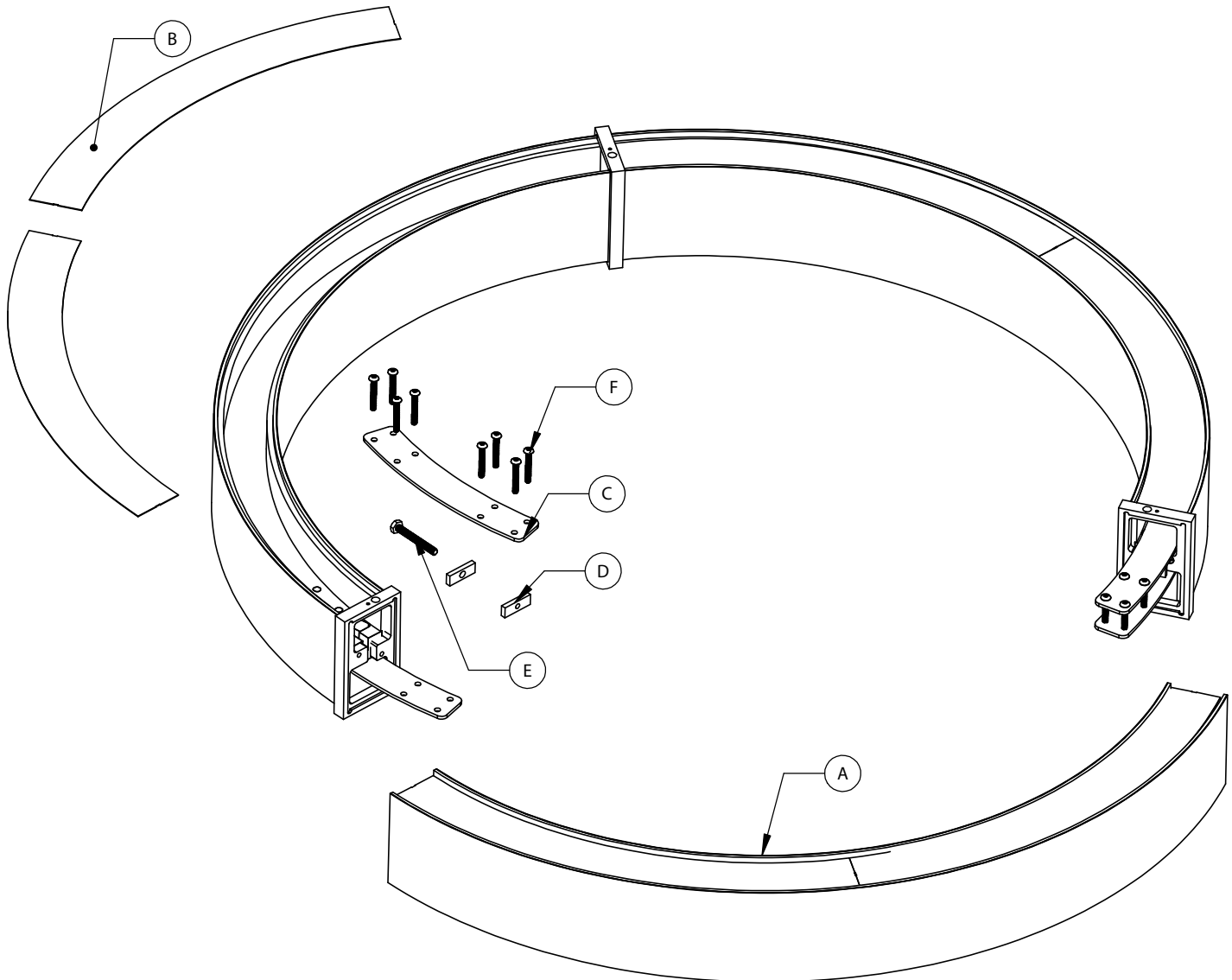
Capistrano 59



Capistrano 83

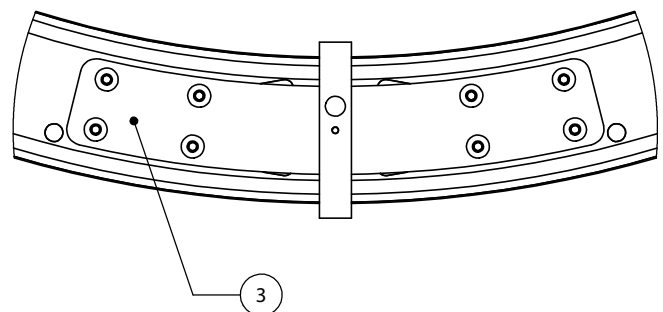
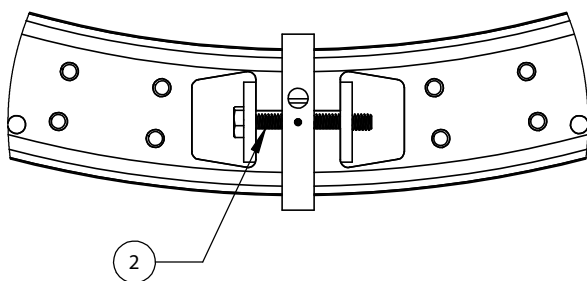
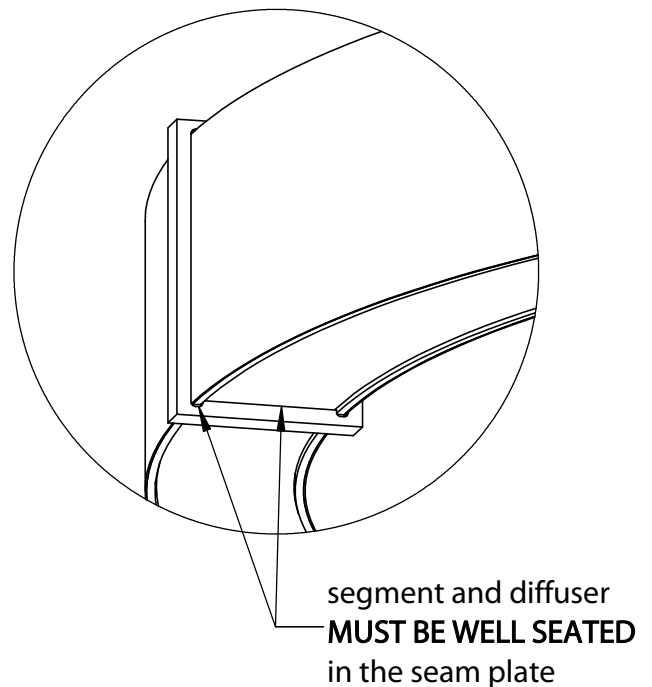
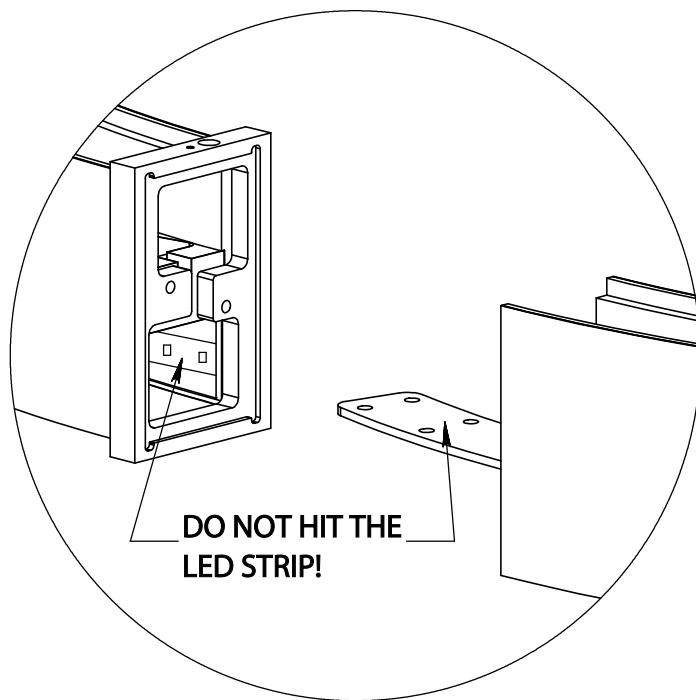


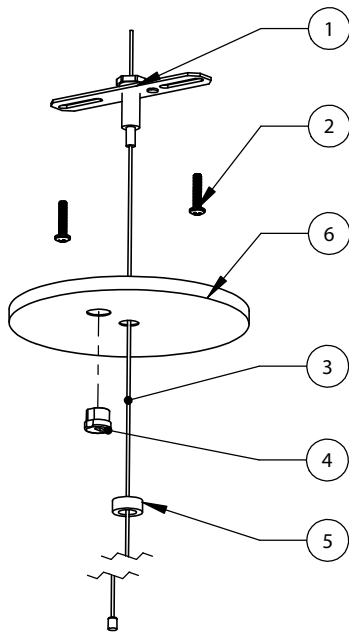
Gaviota Assembly Parts List		
Item	Description	QTY
A	Gaviota Segment	3
B	Gaviota Diffusers or Top Covers	3 or 6
C	Gaviota Connector Bracket	3
D	Draw bolt plate	3
E	Hex Head Screw, 1/4-20 Thread, 2in Length	3
F	Socket Cap Screw Button Head, #10-32, Length 1.375in	24



- 1) Carefully push the segments together and be **EXTREMELY CAUTIOUS** to not hit the LED strip.
- CRITICAL NOTE:** The segments and diffusers **MUST BE WELL SEATED** in the seam plate before continuing onto the next steps.
- 2) Place the hex head screw and the draw bolt plates in the pockets to hold the segments together.
- 3) Overlap the bracket with the eight holes on the segments and use the button head screws to secure the segments together.
- 4) Feed your cords out through the hole on the seam plate.
- 5) Insert the top covers or the top diffusers into the top of the segments.
- 6) For wire connections, follow the indicators on the labels.

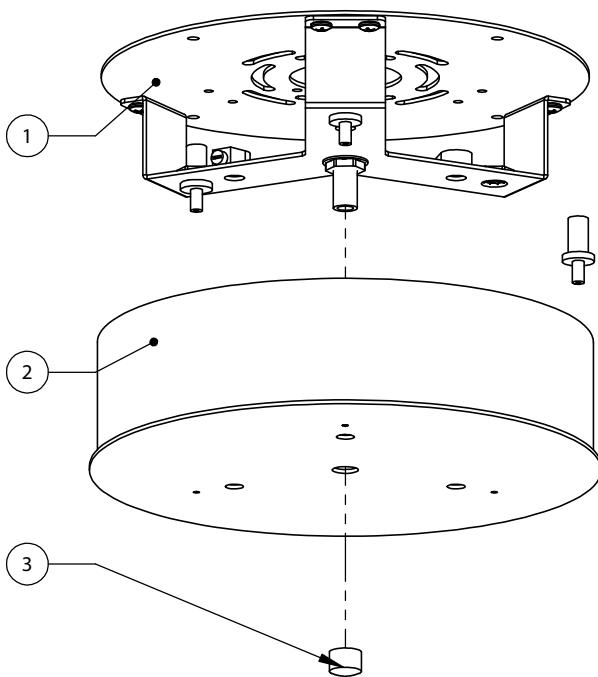
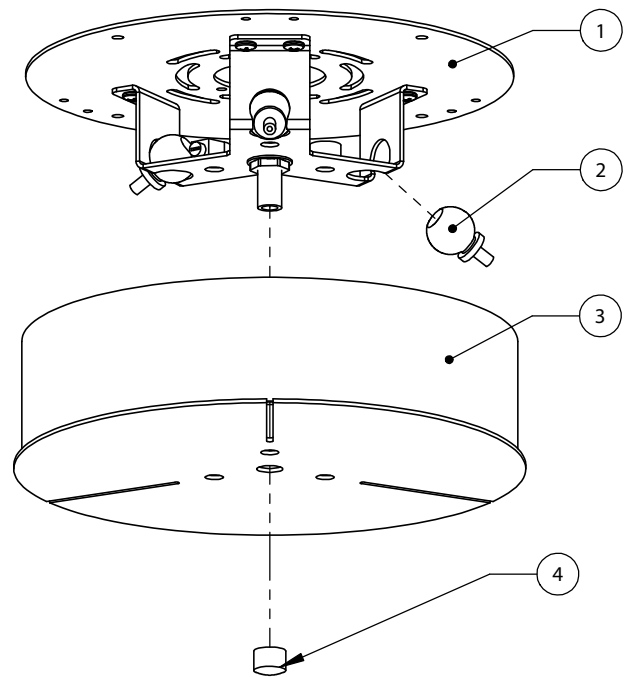
Note for Uplight and Downlight Only: Remove the labels after properly making all the wire connections. Use the provided wire clips to gather the wire connections near the seam plate to avoid shadows being cast from the wire connections.





Item No.	Description	Qty per canopy
1	Crossbar Assembly	1
2	Canopy	1
3	1/16" Suspension cable	1
4	Strain relief	1
5	Canopy nut	1
6	screws	2

Item No.	Description	QTY
1	Mounting Plate Assembly	1
2	Cable Gripper Ball	3
3	Canopy Cover	1
4	Canopy nut	1



Item No.	Description	QTY
1	Mounting Plate Assembly	1
2	Canopy Cover	1
3	Canopy Nut	1

