

General Product Information

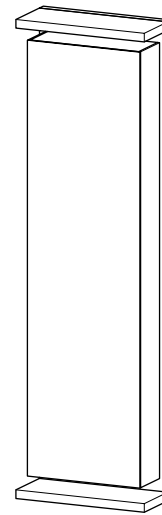
This product is suitable for damp locations.

This product is to be installed to a standard 4" junction box with 3" round plaster ring or an octagon junction box.

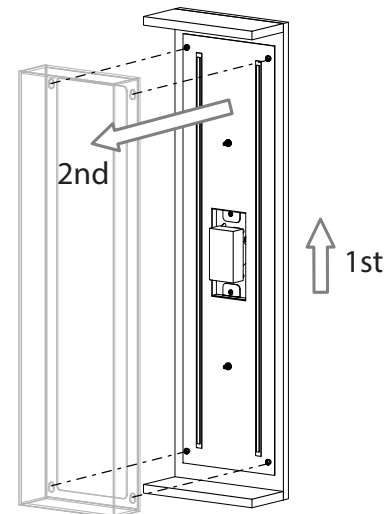


CAUTION - RISK OF FIRE

This product requires installation by a qualified electrician. Before installing be sure to read all instructions and **TURN POWER OFF TO THE JUNCTION BOX**



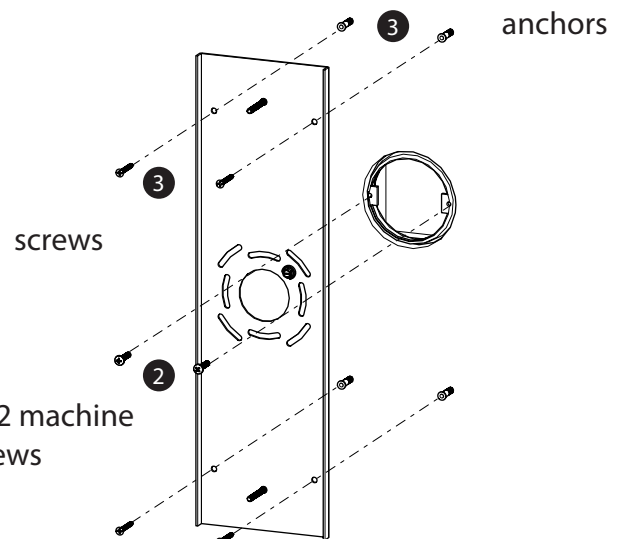
- 1 Carefully remove the diffuser from the fixture by sliding the diffuser up and then pulling the diffuser off.



- 2 Secure the mounting plate to the junction box using the provided #8-32X3/4" machine screws.
- 3 Fasten the mounting plate to the surface using screws. (OPTIONAL) Use the backplate as a template for the provided anchors.

WARNING

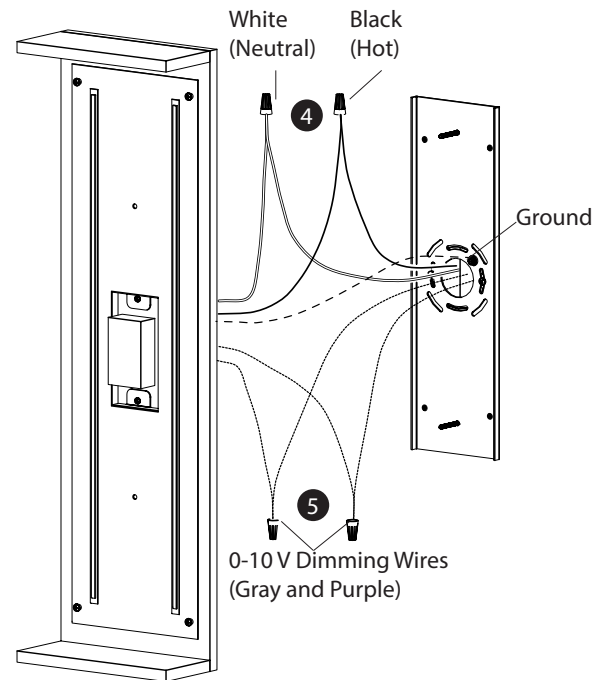
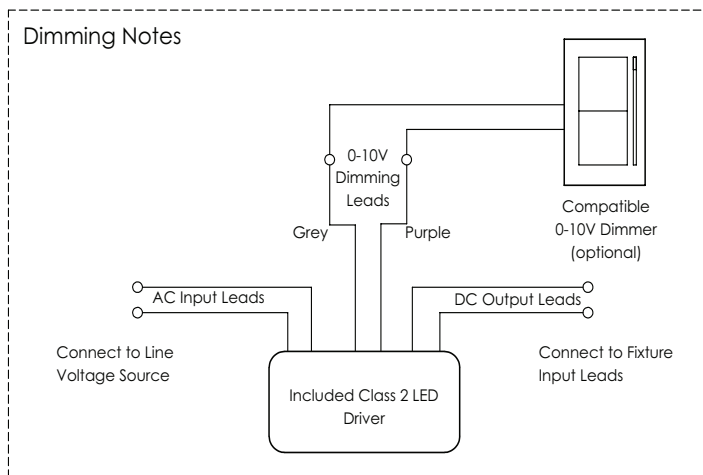
The included anchors are supplied only as a convenience. It is the responsibility of the installer to verify that the installation conditions and hardware used are suitable for supporting the load of the fixture.



- 4 Pull the line voltage wires through the center hole of the mounting plate. Use wire nuts to make connections between line voltage wires and the driver. Attach a suitable ground wire to the green screw in the mounting plate.
- 5 (Optional) If 0-10V dimming control is to be used, connect purple and grey LED Driver leads to leads from remote 0-10V dimmer.

CRITICAL NOTE:

If 0-10V dimming is not being used, the tinned ends of the purple and grey LED Driver leads should be snipped off and these leads should be capped individually such that they remain isolated from one another.



- 6 Insert the threaded stud on the mounting plate through the holes in the shade and use the nuts to secure the shade onto the mounting plate.
- 7 Carefully move the diffuser towards the fixture and align the holes in the diffuser with the four screws on the shade, then slide the diffuser down to secure the diffuser onto the fixture.

