

General Product information



This product is suitable for indoor dry locations only.

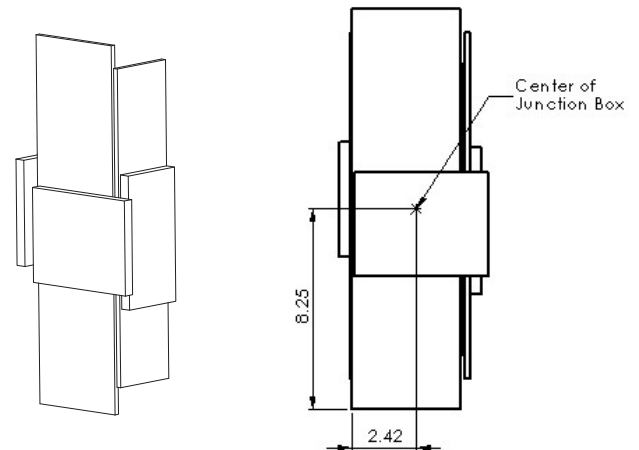
This product is to be installed to a standard 4" junction box with 3" round plaster ring or an octagon junction box.



CAUTION - RISK OF FIRE

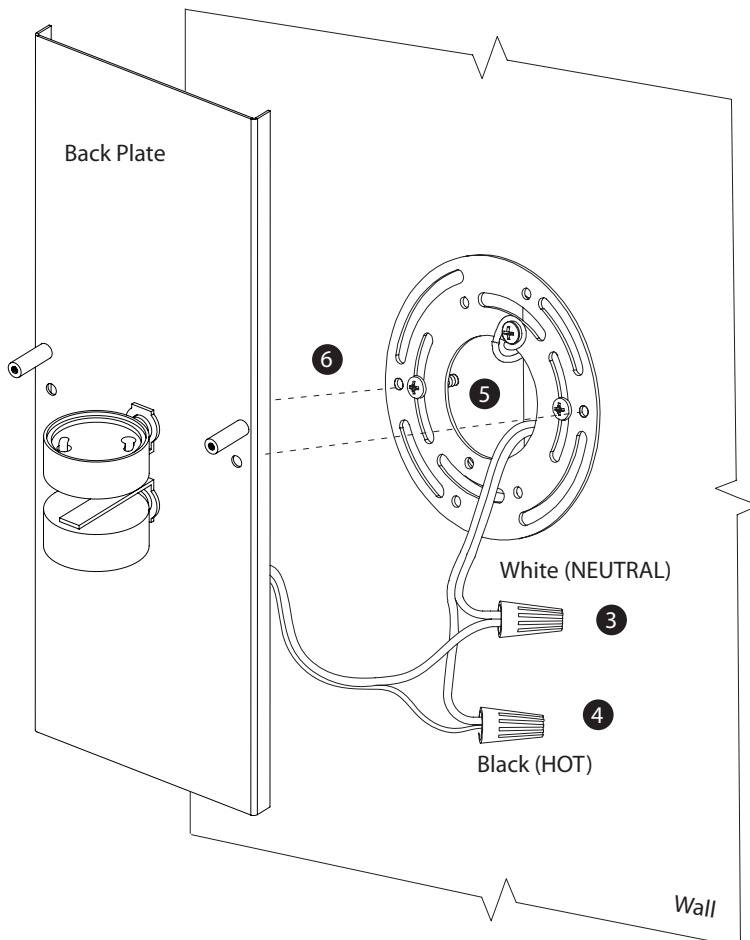
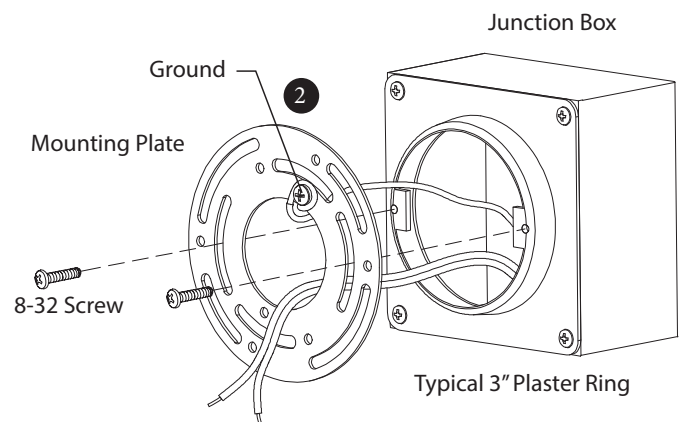


This product requires installation by a qualified electrician. Before installing be sure to read all instructions and **TURN POWER OFF TO THE JUNCTION BOX**



Installing the Mounting Plate

- 1 Attach the mounting plate to the junction box using the supplied #8-32 screws. Orient and level the plate as shown in the figure.
- 2 Attach a suitable ground wire to the green screw in the mounting plate



Attaching the Back Plate

- 3 Connect the white fixture wires to the neutral power line with a wire nut.
- 4 Connect the black fixture wires to the hot power line with a wire nut.
- 5 Place all wires in the junction box.
- 6 Mount the back plate to the mounting plate using the supplied #8-32 screws.

Once the back plate is secured, install the GU-24 bulbs (not included)

Attaching the Shade

- 7 Slide the shade onto the posts protruding from the back plate until the back of the shade is flush with the wall.
- 8 Tighten the two screws on top of the mounting blocks inside the shade.

