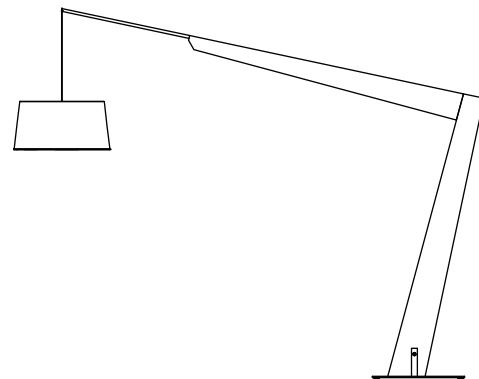


General Product information

This product is suitable for indoor dry locations only.

This product can be dimmed with most standard dimmers.

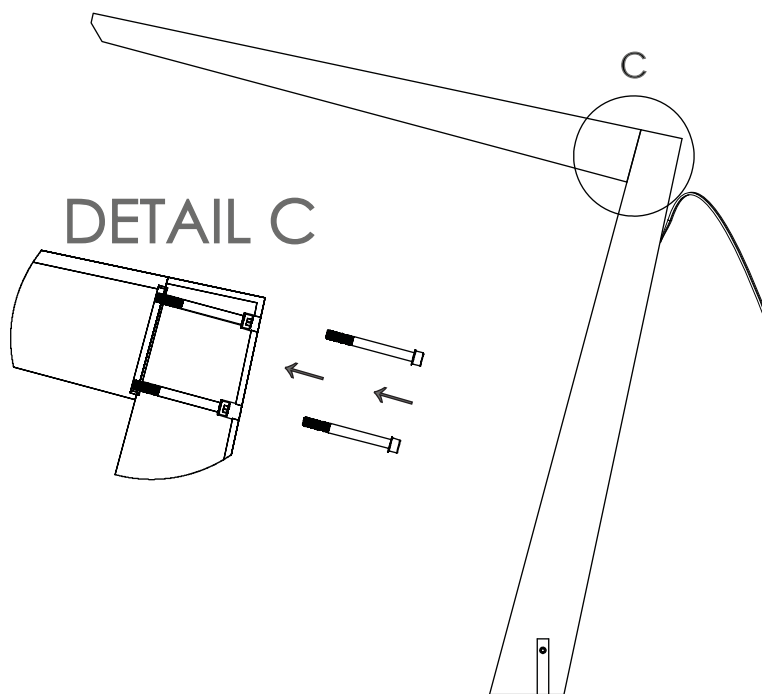


Assembling the body

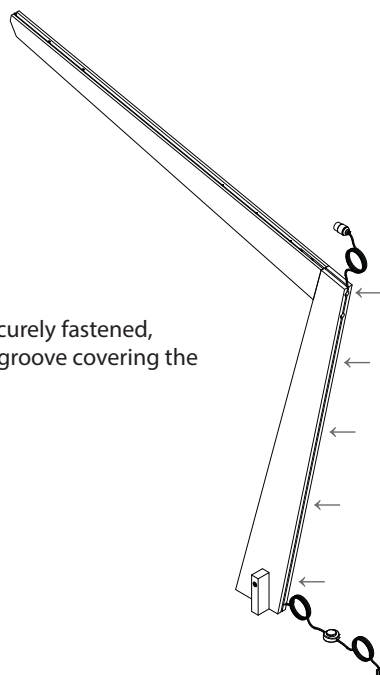
1. Place the two wood components of the body on an elevated flat surface such as a table. Remove the cord from the rear of the verticle body then align the two wood components of the body as pictured on the right, making sure to align the holes for the fasteners.

2. With the components aligned, insert the two 5" long 1/2-13 socket head cap screws into the holes and slowly tighten both screws using a 3/8" hex key. Assure that the joint closes evenly.

3. Once the joint has closed evenly, tighten the screws.

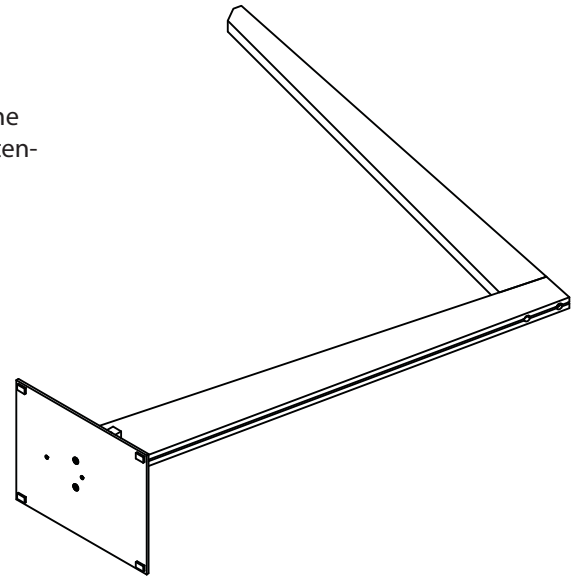


4. With the body components now securely fastened, press the wire and cord stock into the groove covering the joint.

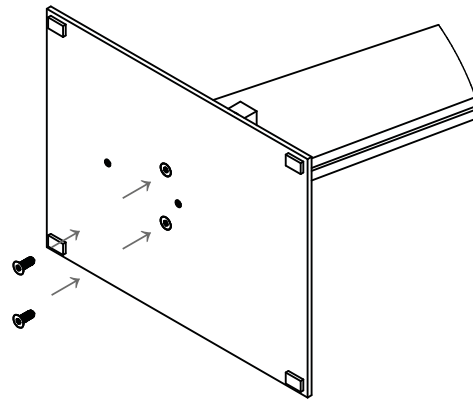


Attaching the Base

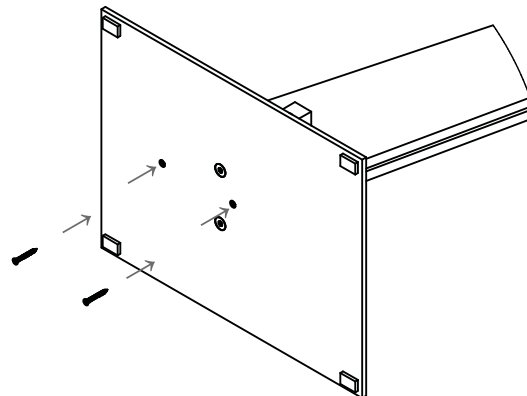
This next step should be performed by two people due to the weight of the base. One person should hold it in position while the other inserts the fasteners.



5. Once the base is in position, insert the two 1/2-13 flat head socket screws and tighten using a 5/16" hex key.



6. Following the installation of the fasteners in step 6, insert the two wood screws and tighten them.



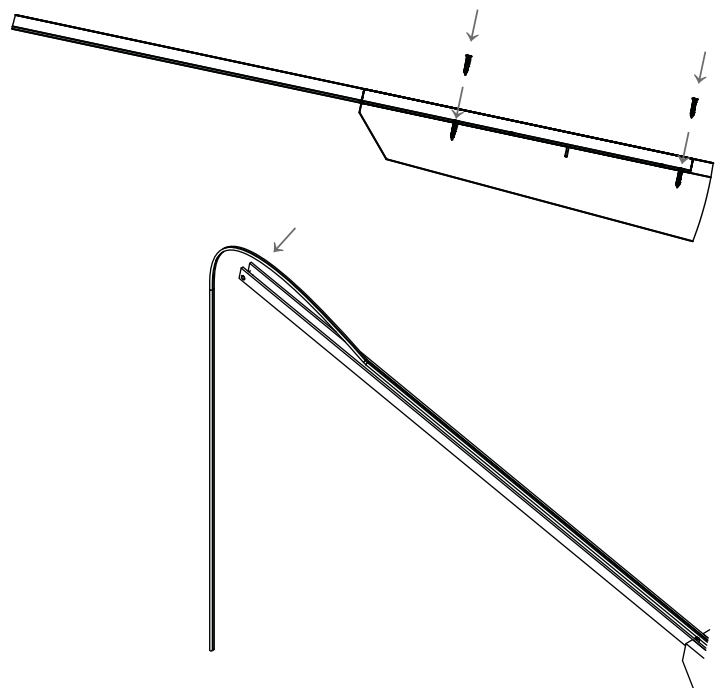
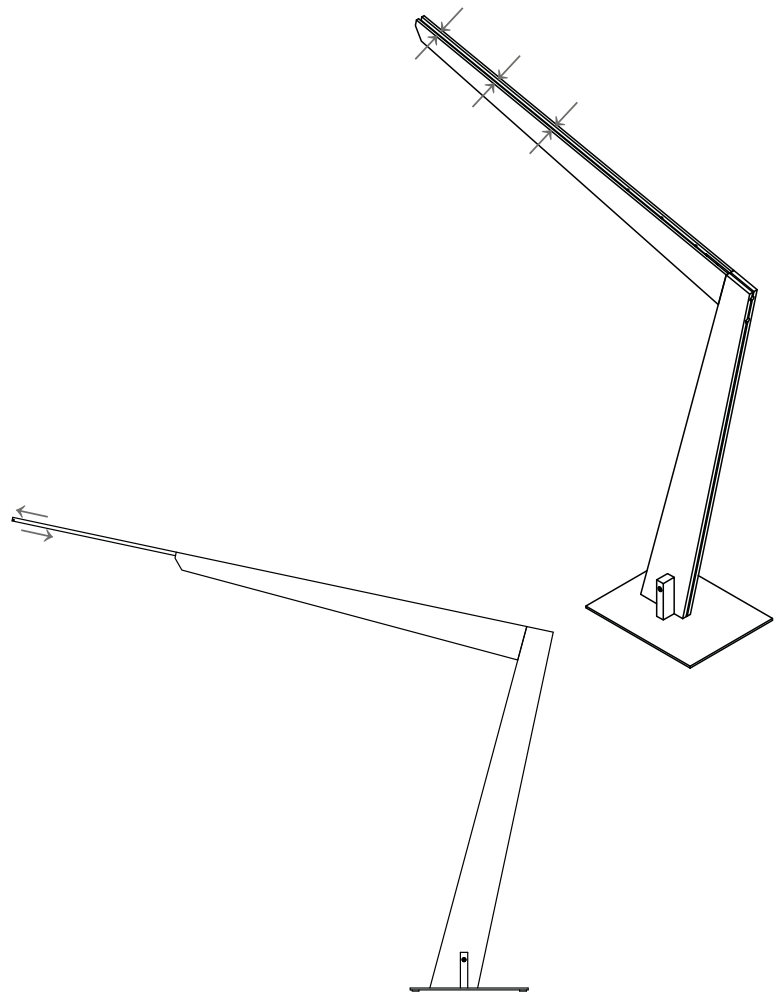
Attaching the Boom

7. Stand the assembled body up and place the aluminum boom into the slot located on the top rear of the body (located by the arrows to the right).

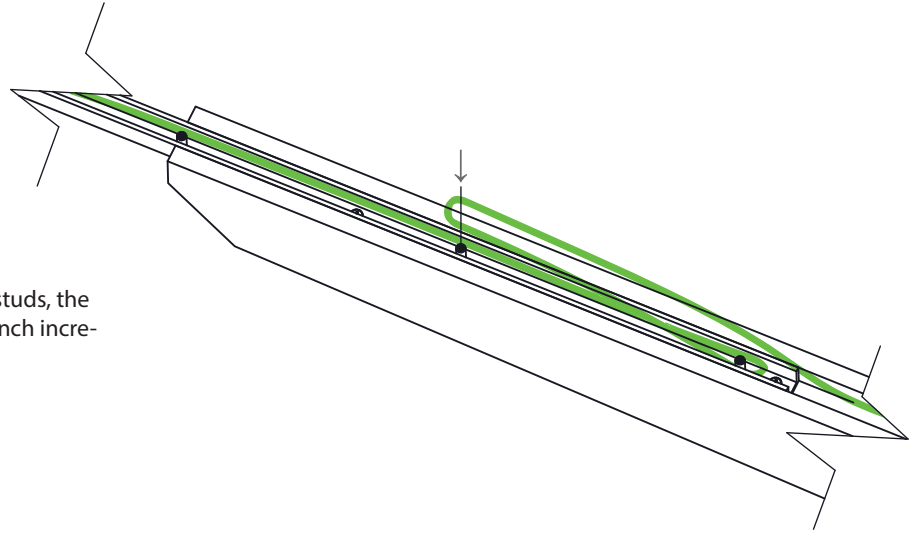
8. With the boom now located in the slot, adjust the boom extension length as desired by sliding the boom inside the groove.

9. With the boom now set to the desired length, attach it using the two #8 wood screws.

10. With the boom now fully assembled drape the cord over the roller at the end of boom arm



11. Adjust the height that the shade hangs by winding the cord around the studs in the groove in the top of the body.

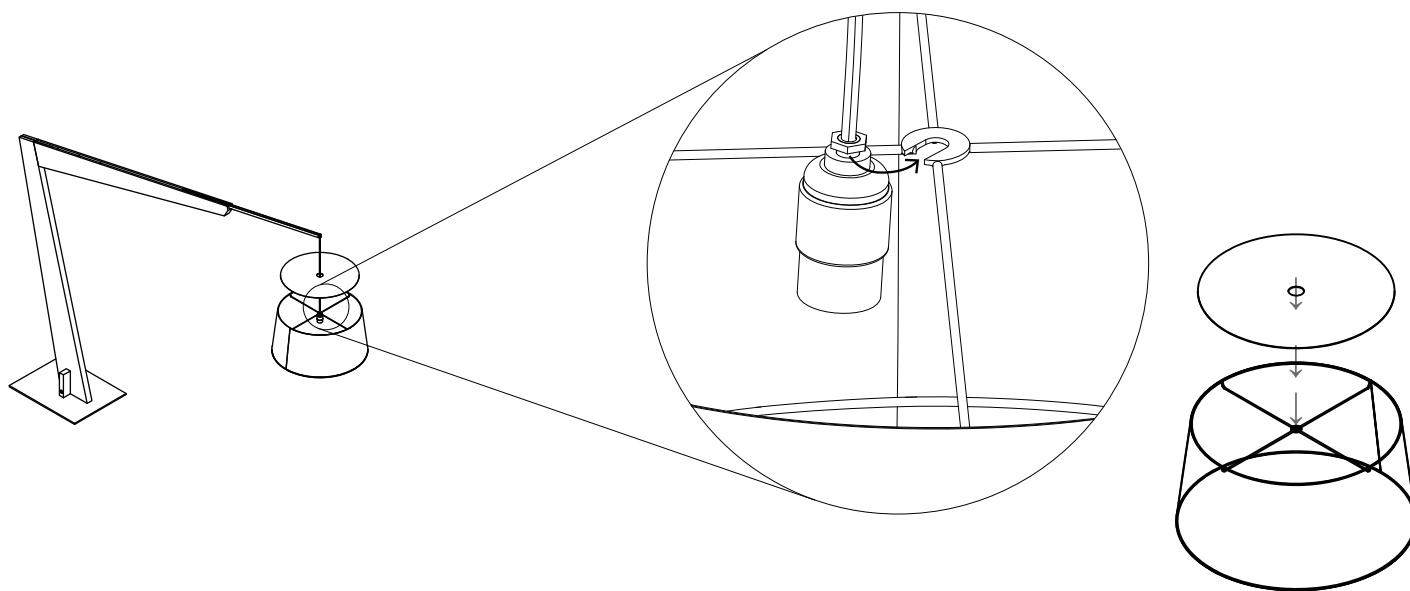


12. By wrapping the cord around different studs, the height of the shade at can be adjusted in 8 inch increments.

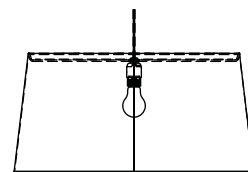
Optional Top Diffuser Installation: Prior to installation of bulb and lower diffuser.

Note! Top Diffuser is included by custom request only.

Feed the socket through the hole in top diffuser, align socket with shade spider and place socket into slot located at the center of the shade spider. With the shade spider in position tighten the nut on the top end of the socket to hold the shade in place. Lower the top diffuser down onto the shade spider.

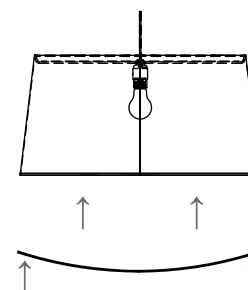


Following shade and top diffuser installation, install the bulb into the socket



Optional Lower Diffuser Installation.

To install the lower diffuser, carefully bend lower diffuser along its edges, then place into shade assembly, unbend diffuser and sit on top of the shade assembly lower ring.



NOTE: For uninstallation of lower diffuser gently lift up one edge of the lower diffuser and carefully bend the diffuser until it can be removed from the bottom of the shade assembly.

IMPORTANT SAFETY INSTRUCTIONS

This portable luminaire has a polarized plug (one blade is wider than the other) as a feature to reduce the risk of electric shock. This plug will fit in a polarized outlet only one way. If the plug does not fit fully in the outlet, reverse the plug. If it still does not fit, contact a qualified electrician. Never use with an extension cord unless plug can be fully inserted. Do not alter the plug.

Care, maintenance instructions

Regularly maintaining your Cerno® product is easy and will help keep it looking beautiful. Scratches can be buffed out in minutes. Wood surfaces will be revitalized with minimal effort every few years.

Your fixture may include materials listed below. Please use these tips to keep your product looking its best.

Oiled Walnut: Wood surfaces should be dusted and cleaned with a damp cloth. Every 1 - 3 years, re-oil and wax wood surfaces to maintain the rich wood sheen. Remember to wipe with the wood grain, and remove any excess oil or wax when finished.

Dark Stained Walnut: Wood surfaces should be dusted and cleaned with a damp cloth. Wax every 1 - 3 years, taking care to wipe with the grain. Remove any excess wax when finished.

Brushed Aluminum: Everyday cleaning of metal surfaces can be done with a damp cloth. Repair: To remove scratches from brushed aluminum, use Scotch-Brite (Gray or Maroon) to buff the scratched area. In a pinch, you can use the rough side of your kitchen sponge.

Black Anodized Aluminum: Everyday cleaning of metal surfaces can be done with a damp cloth.

Polymer: To clean polymer surfaces, use a damp cloth with soap and water or typical cleaners. Avoid heavy-duty cleaners (i.e. anything solvent-based), as they can damage the material. Repair: Scratches can be buffed out of polymer surfaces using 200 - 300 grit sandpaper.

Shade Material: Ebony and Birch veneer - When cleaning veneer, take care not to peel the edge as it can de-laminate the veneer.

Wax every 1 - 3 years. Remove any excess wax when finished.

Cerno's mission since the company's inception has been to fuse quality, performance and resource efficiency with contemporary design.

Producing environmentally responsible products involves far more details than merely guaranteeing your products energy efficient performance and maintaining eco conscious manufacturing practices. We live in a consumer age characterized by excess and waste, where nearly everything we possess is viewed as disposable, from the cars we drive to the bottle of water you are drinking right now.

At Cerno we aim to provide our customers an opportunity to purchase objects of value to enhance their built environment. We construct our products with integrity that will pass the test of time with the goal of evading a premature trip to the local landfill. All the products are assembled by human hands and endure rigorous testing to assure that our exceptionally high standards of quality are always satisfied.

Warranty

In addition to our two year product defect warranty, Cerno offers a repair service for the life of your product. Every Cerno product is designed and manufactured in the United States which facilitates excellent quality control and easy access to our engineers and service technicians. At Cerno we pride ourselves on delivering products executed with an unparalleled level of craftsmanship. For any reason should our customers have an issue with their orders upon delivery we will repair or replace the item.

In addition to our warranty and quality guarantees, Cerno welcomes customer feedback so please e-mail all comments to info@cernogroup.com