

This product is suitable for indoor dry locations only.



CAUTION - RISK OF FIRE

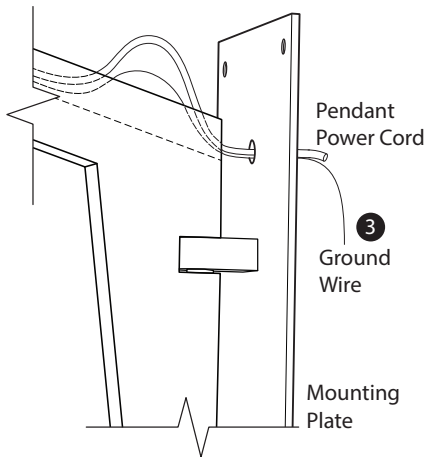
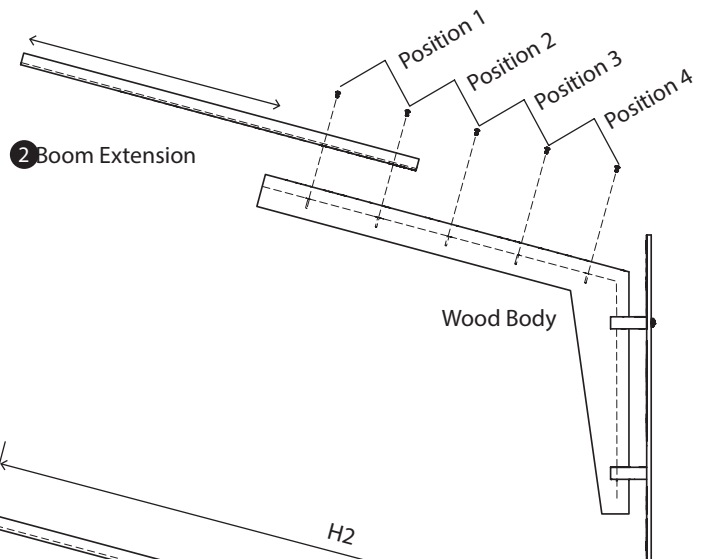
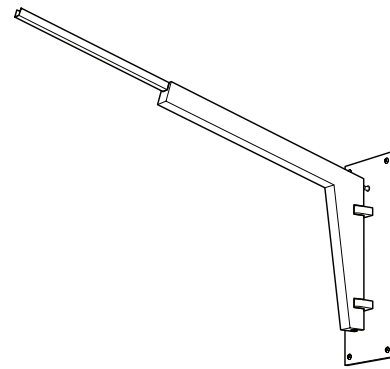
This product requires installation by a qualified electrician. Before installing, be sure to read all instructions and TURN OFF POWER.

Read Before Installing

- 1 Read the installation instructions entirely for this bracket and the accompanying pendant.

Adjusting the Fixture Height

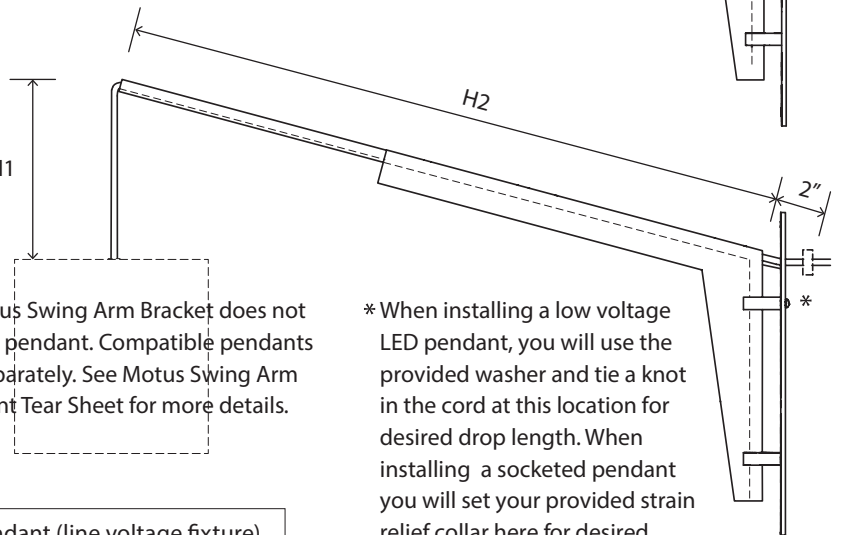
- 2 Adjust the boom extension to the desired length (positions 1, 2, 3 or 4) and secure with (2x) #4 screws.
- 3 Thread the power cord of the accompanying pendant through the mounting plate wire hole.
- 4 Determine the total cord length from the top of the shade to the strain relief or cord knot by combining the heights H1 and H2 and adding 2". Place the strain relief or cord knot here, and cut the excess cord (and ground wire if applicable) as needed.



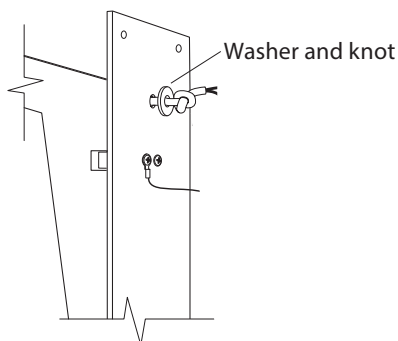
4 H1

The Motus Swing Arm Bracket does not include a pendant. Compatible pendants sold separately. See Motus Swing Arm Pendant Tear Sheet for more details.

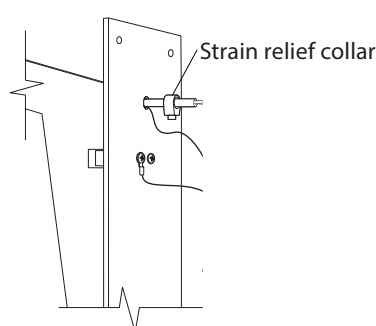
* When installing a low voltage LED pendant, you will use the provided washer and tie a knot in the cord at this location for desired drop length. When installing a socketed pendant you will set your provided strain relief collar here for desired drop length.

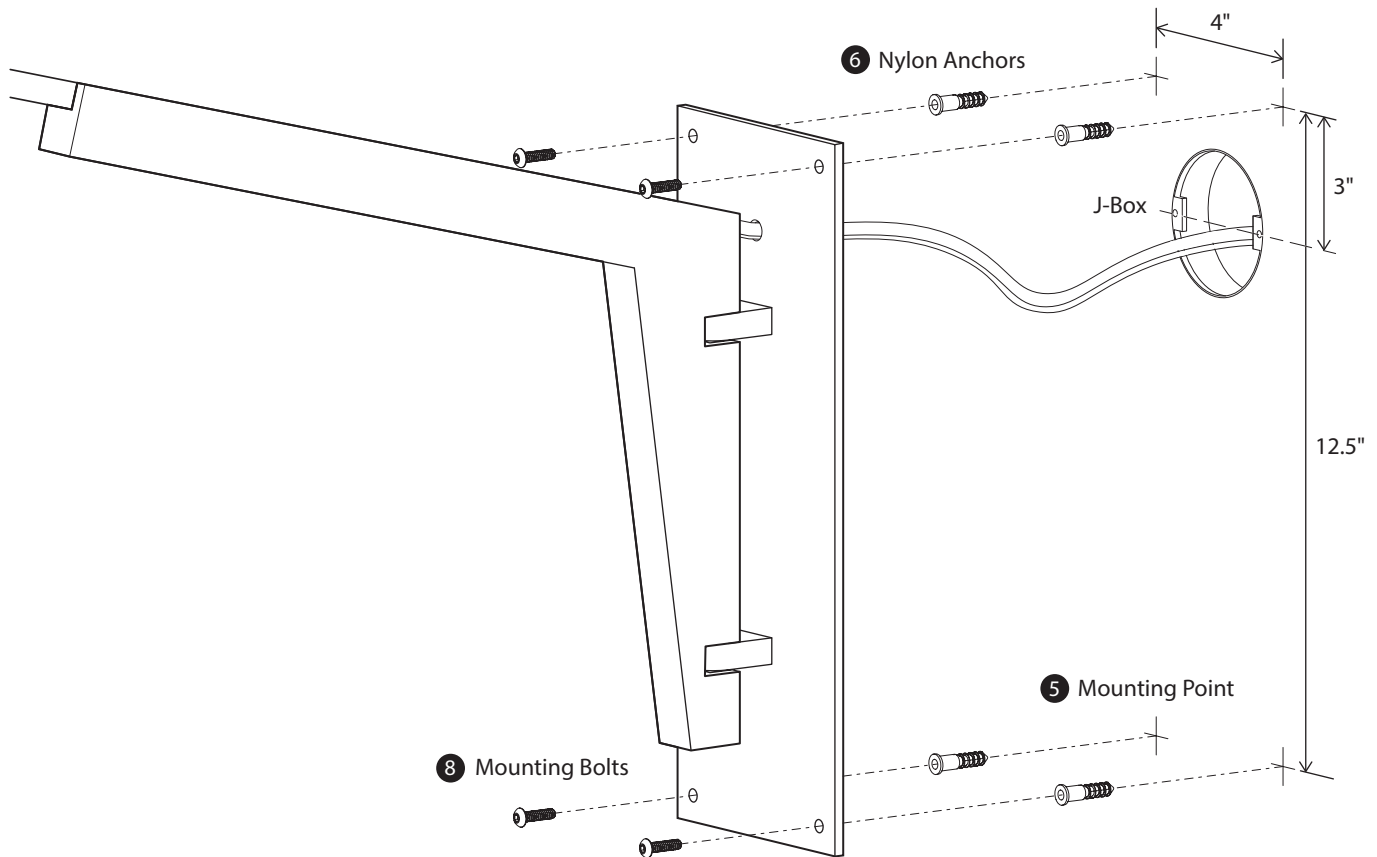


Low Voltage LED pendants



Plura 18 pendant (line voltage fixture)





Mounting the Fixture

- 5 Use the fixture cover as a template at the desired location and confirm that the fixture is leveled. Mark the mounting hole locations and then remove the template.
- 6 Install (4x) nylon anchors to the wall at the mounting points by using a 1/4" pilot drill.
- 7 Before mounting the bracket, locate the "Making the Electrical Connections" section on the installation instructions of the accompanying pendant. Complete all of the electrical connections as instructed. Place all excess wiring into the J-box prior to mounting the bracket.
- 8 Mount the bracket to the wall using the (4x) mounting bolts and the provided allen wrench.

Adjusting the Fixture

- 9 To secure the orientation of the boom, tighten the #6 screw on the hinge pin located on the underside of the wood body.

