

General Product information



This product is suitable for indoor dry and damp locations only.

This product can be dimmed with an electronic low voltage (ELV) dimmer. Please see "Dimmer Compatibility" section of these instructions for more information.

CAUTION - RISK OF FIRE
 This product requires installation by a qualified electrician. Before installing be sure to read all instructions and **TURN POWER OFF TO THE JUNCTION BOX**

Adjusting the Fixture Height

- 1 Measure the desired height (H) that you want the fixture to hang below the ceiling.
- 2 Thread the cable through the top diffuser, shade, thumb nut, canopy, crossbar assembly, and washer. (See Figure 2)
- 3 Tie a knot in the cable at the desired length H.

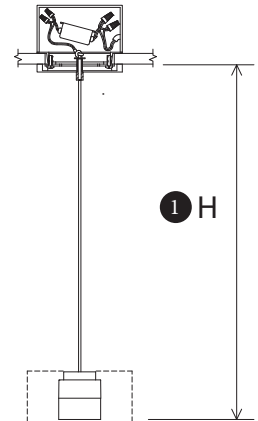


Figure 1

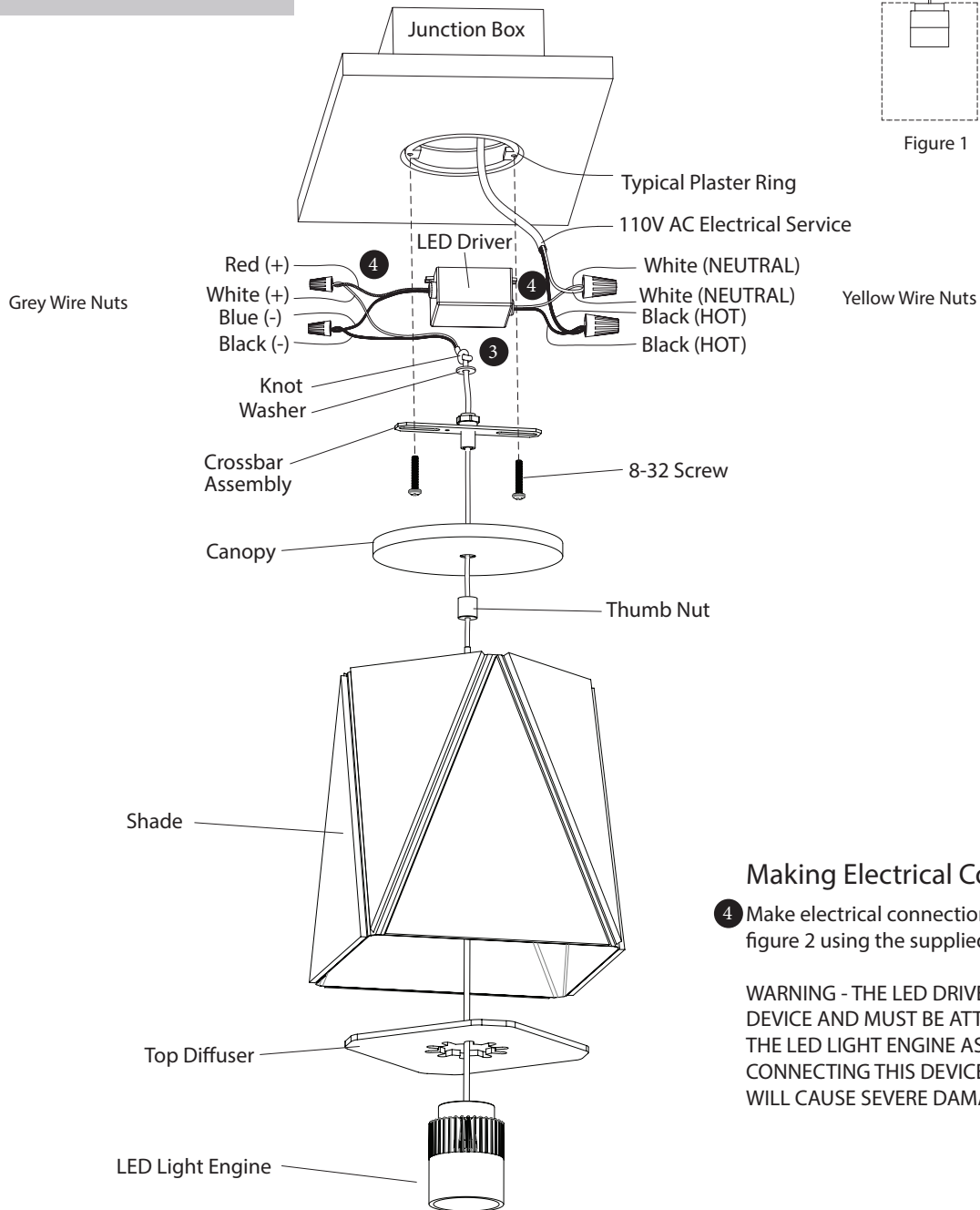


Figure 2

Making Electrical Connections

- 4 Make electrical connections as shown in figure 2 using the supplied wire nuts.

WARNING - THE LED DRIVER IS A DC DEVICE AND MUST BE ATTACHED TO THE LED LIGHT ENGINE AS SHOWN. CONNECTING THIS DEVICE INCORRECTLY WILL CAUSE SEVERE DAMAGE.

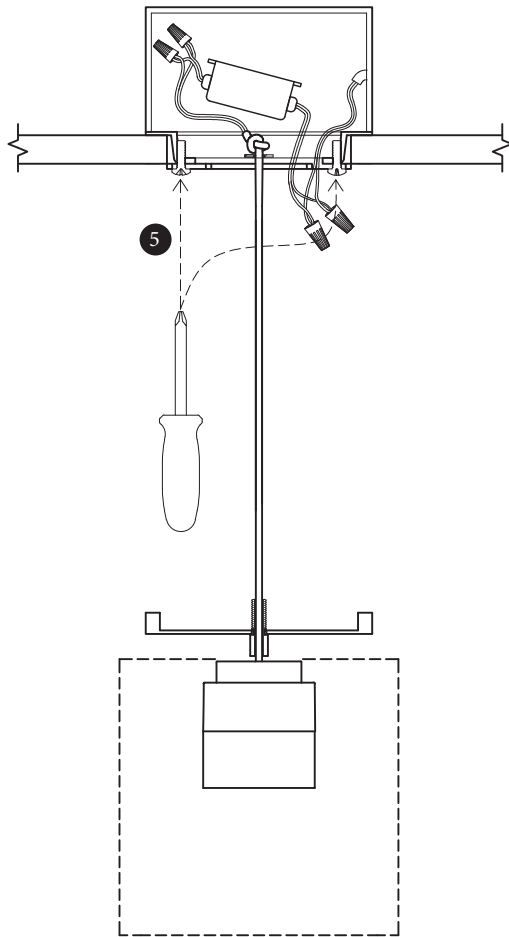


Figure 3

Mounting the Fixture

- 5 Attach the crossbar to the junction box using the supplied 8-32 screws.

Securing the Canopy

- 6 After electrical connections have been made, place LED driver and all of the wires inside of the junction box.
- 7 Slide the canopy up the cable and secure it by screwing the thumb nut onto the crossbar.

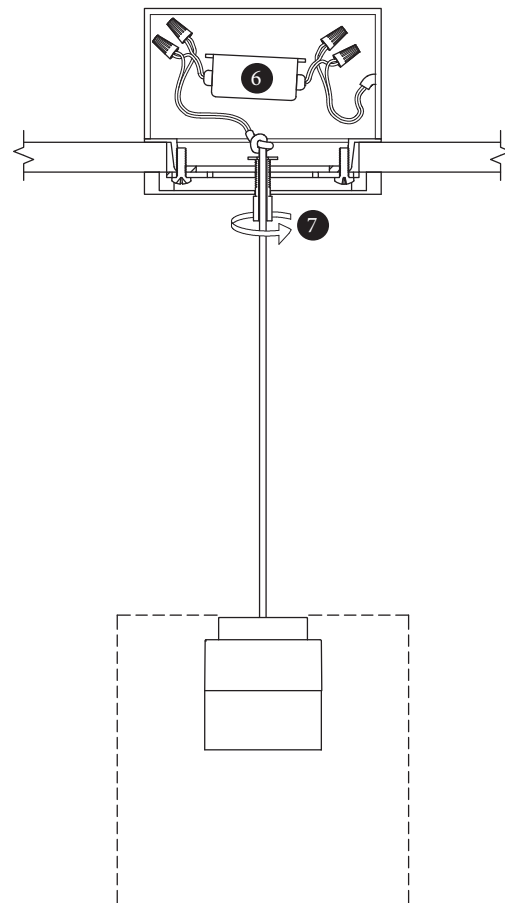


Figure 4

See following page for dimmer compatibility

Dimmer Compatibility

The LED driver included with this fixture is designed to operate with most ELV (Electronic Low Voltage) dimmers. Extensive testing with the dimmers listed below has been conducted. This list of dimmers does not imply any guarantee or warranty of compatibility with a particular application. The lack of dimmers on this list does not imply it is not compatible. All power ratings and installation instructions from dimmer manufacturers' instruction sheets must be followed.

The following list of dimmers has been tested by Cerno:

Lutron Maestro®: MAELV-600 (or similar)

Lutron Diva®: DVELV-300P (or similar)

Lutron Radio®: RAELV-500L

NOTE 1: Other electronic low voltage dimmers may be compatible, but have not been tested by Cerno to assure quality results.

NOTE 2: Do not use Leading Edge (Typically labelled "incandescent") or magnetic or fluorescent dimmers.

NOTE 3: All power ratings and installation instructions from dimmer manufacturers' instruction sheets must be followed.

NOTE 4: Dimmer control must have same AC input rating as the dimmable power supply driver it connects to.

Care, maintenance instructions

Regularly maintaining your Cerno® product is easy and will help keep it looking beautiful. Scratches can be buffed out in minutes. Wood surfaces will be revitalized with minimal effort every few years. The LED light source is rated to last 50,000 hours, and should last the life of the product. Your pendant may include materials listed below. Please use these tips to keep your product looking its best.

Oiled Walnut: Wood surfaces should be dusted and cleaned with a damp cloth. Every 1 - 3 years, re-oil and wax wood surfaces to maintain the rich wood sheen. Remember to wipe with the wood grain, and remove any excess oil or wax when finished.

Dark Stained Walnut: Wood surfaces should be dusted and cleaned with a damp cloth. Wax every 1 - 3 years, taking care to wipe with the grain. Remove any excess wax when finished.

Brushed Aluminum: Everyday cleaning of metal surfaces can be done with a damp cloth. Repair: To remove scratches from brushed aluminum, use Scotch-Brite (Gray or Maroon) to buff the scratched area. In a pinch, you can use the rough side of your kitchen sponge.

Black Anodized Aluminum: Everyday cleaning of metal surfaces can be done with a damp cloth.

Polymer: To clean polymer surfaces, use a damp cloth with soap and water or typical cleaners. Avoid heavy-duty cleaners (i.e. anything solvent-based), as they can damage the material. Repair: Scratches can be buffed out of polymer surfaces using 200 - 300 grit sandpaper.

Cerno's mission since the company's inception has been to fuse quality, performance and resource efficiency with contemporary design.

Producing environmentally responsible products involves far more details than merely guaranteeing your products energy efficient performance and maintaining eco conscious manufacturing practices. We live in a consumer age characterized by excess and waste, where nearly everything we possess is viewed as disposable, from the cars we drive to the bottle of water you are drinking right now.

At Cerno we aim to provide our customers an opportunity to purchase objects of value to enhance their built environment. We construct our products with integrity that will pass the test of time with the goal of evading a premature trip to the local landfill. All the products are assembled by human hands and endure rigorous testing to assure that our exceptionally high standards of quality are always satisfied.

Warranty

In addition to our two year product defect warranty, Cerno offers a repair service for the life of your product. Every Cerno product is designed and manufactured in the United States which facilitates excellent quality control and easy access to our engineers and service technicians. At Cerno we pride ourselves on delivering products executed with an unparalleled level of craftsmanship. For any reason should our customers have an issue with their orders upon delivery we will repair or replace the item.

In addition to our warranty and quality guarantees, Cerno welcomes customer feedback so please e-mail all comments to info@cernogroup.com