

General Product information



This product is suitable for indoor dry and damp locations only.

This product is to be installed to a standard 4" junction box with 3" round plaster ring or an octagon junction box. wall or ceiling.

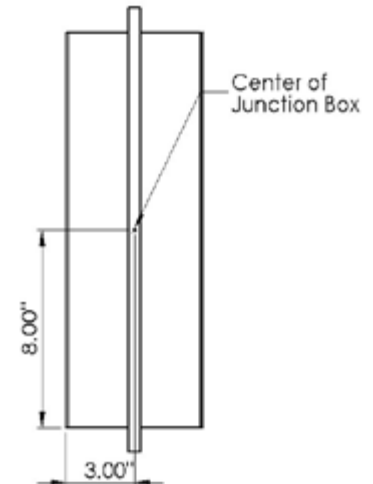
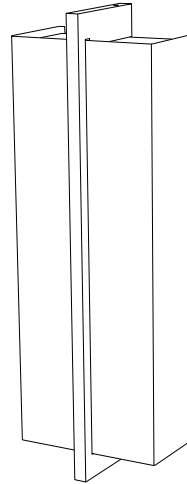
This product can be dimmed using TRIAC, ELV, or 0-10V dimming control.



CAUTION - RISK OF FIRE

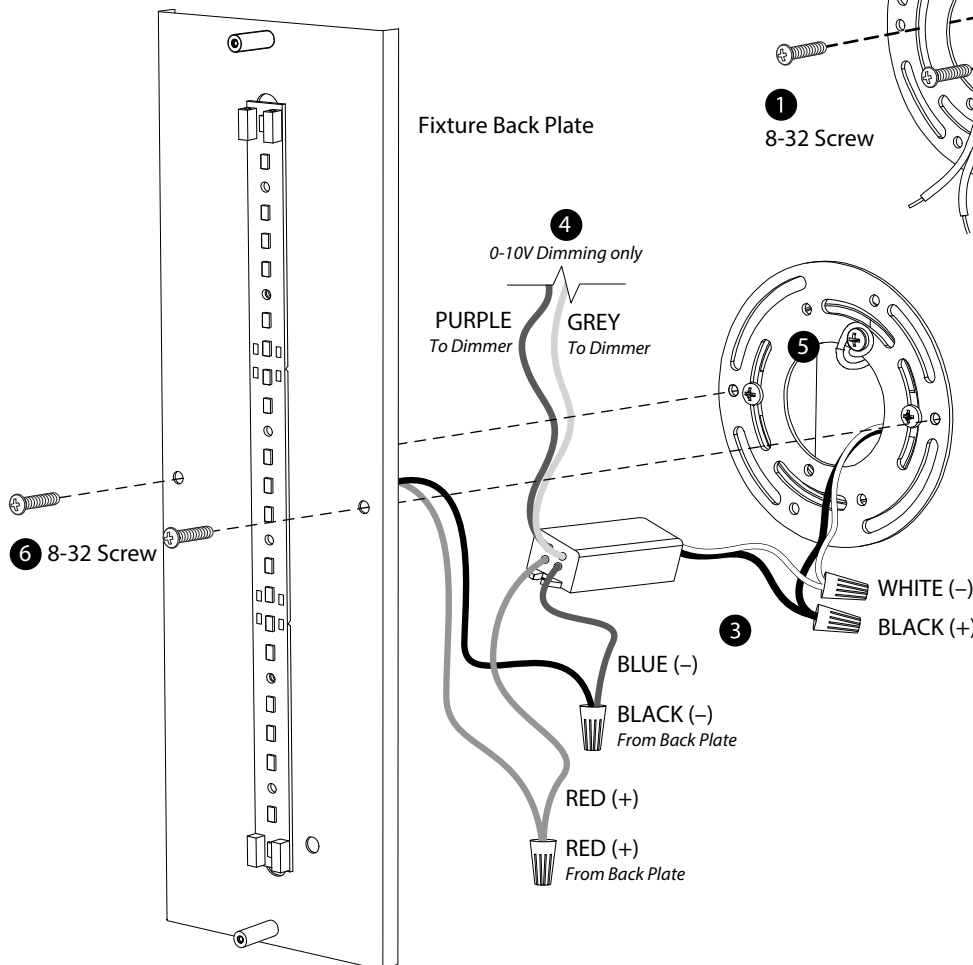
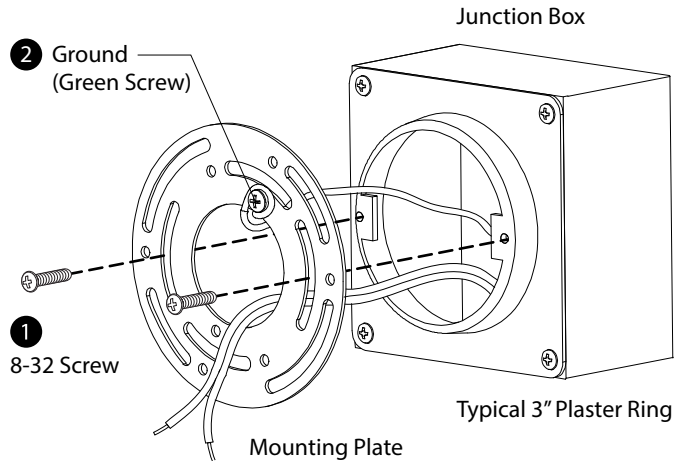


This product requires installation by a qualified electrician. Before installing be sure to read all instructions and **TURN POWER OFF TO THE JUNCTION BOX**



Installing the Mounting Plate

- 1 Attach the mounting plate to the junction box using the supplied #8-32 screws. Orient and level the plate as shown in the figure.
- 2 Attach a suitable ground wire to the green screw in the mounting plate



Attaching the Fixture Back Plate

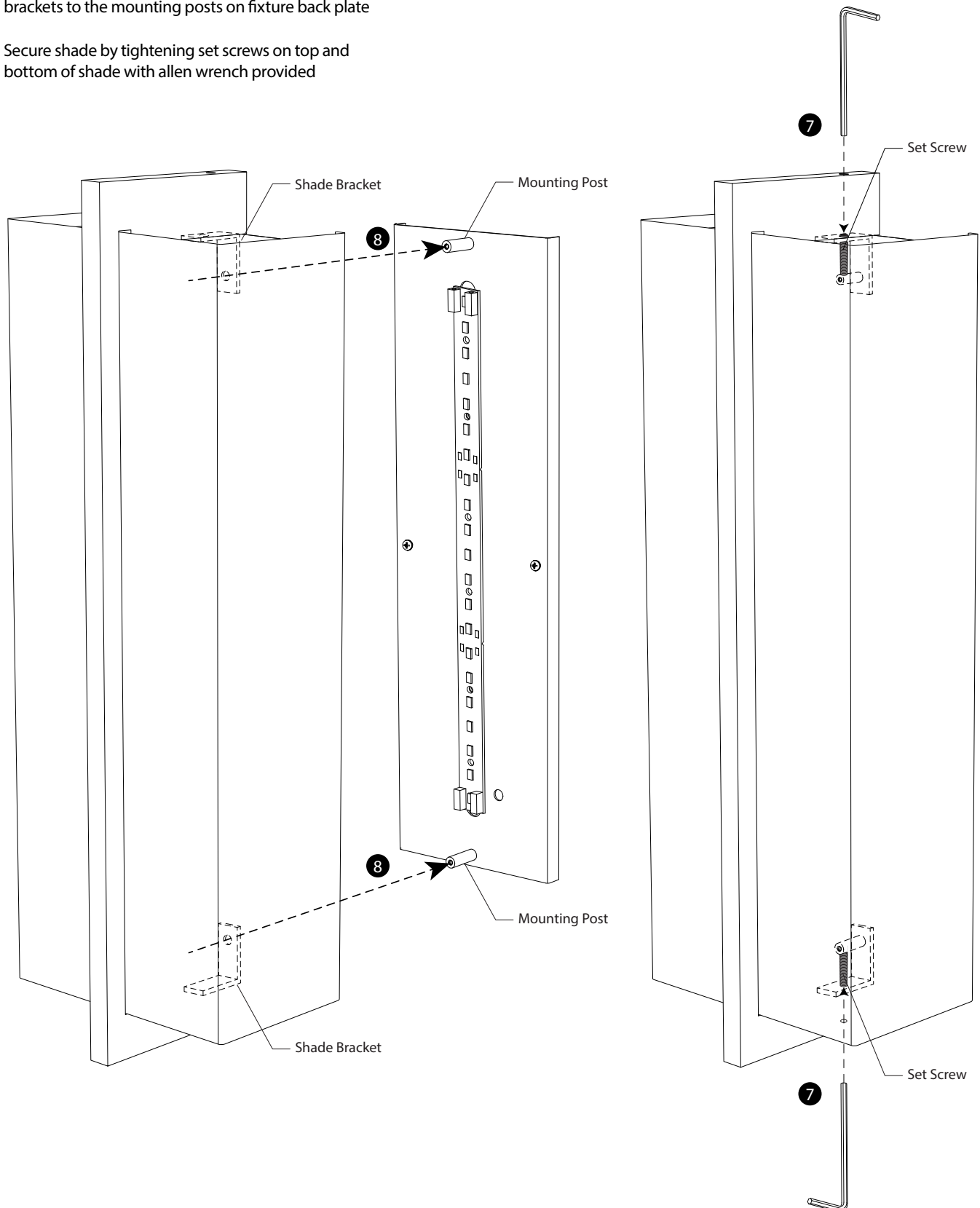
- 3 Connect all wires as shown with wire nuts (see driver instructions).
- 4 (Optional) To achieve 0-10V dimming control, connect purple and grey wires to 0-10V dimmer leads.
- 5 Place all wires and driver inside the junction box.
- 6 Mount the fixture back plate to the mounting plate using the supplied #8-32 screws.

WARNING

THE LED DRIVER IS A DC DEVICE AND MUST BE ATTACHED TO THE LED LIGHT ENGINE AS SHOWN. CONNECTING THIS DEVICE INCORRECTLY WILL CAUSE SEVERE DAMAGE.

Attaching the Shade

- 6 Place shade on back plate by aligning shade brackets to the mounting posts on fixture back plate
- 7 Secure shade by tightening set screws on top and bottom of shade with allen wrench provided



Important Note!

This fixture comes with a universal dimming driver that be controlled with a TRIAC, ELV, or 0-10V dimmer.

The purple and grey leads exiting from the LED driver are there to enable dimming of the fixture through the use of a compatible 0-10V dimmer. If the fixture is to be dimmed using a 0-10V dimmer, follow the wiring instructions provided with the dimmer.

If the fixture is NOT to be dimmed using a 0-10V dimmer, the tinned ends of these leads should be snipped off and the leads should be capped individually such that they remain isolated from one another.

The wiring diagram below only applies if the fixture is to be controlled by a 0-10V dimmer.

