

# Abeo Pendant

## Installation Instructions

cerno®

### General Product information

This product is suitable for indoor dry locations only.

This product is to be installed to a standard 4" junction box with 3" round plaster ring or an octagon junction box.



### CAUTION - RISK OF FIRE

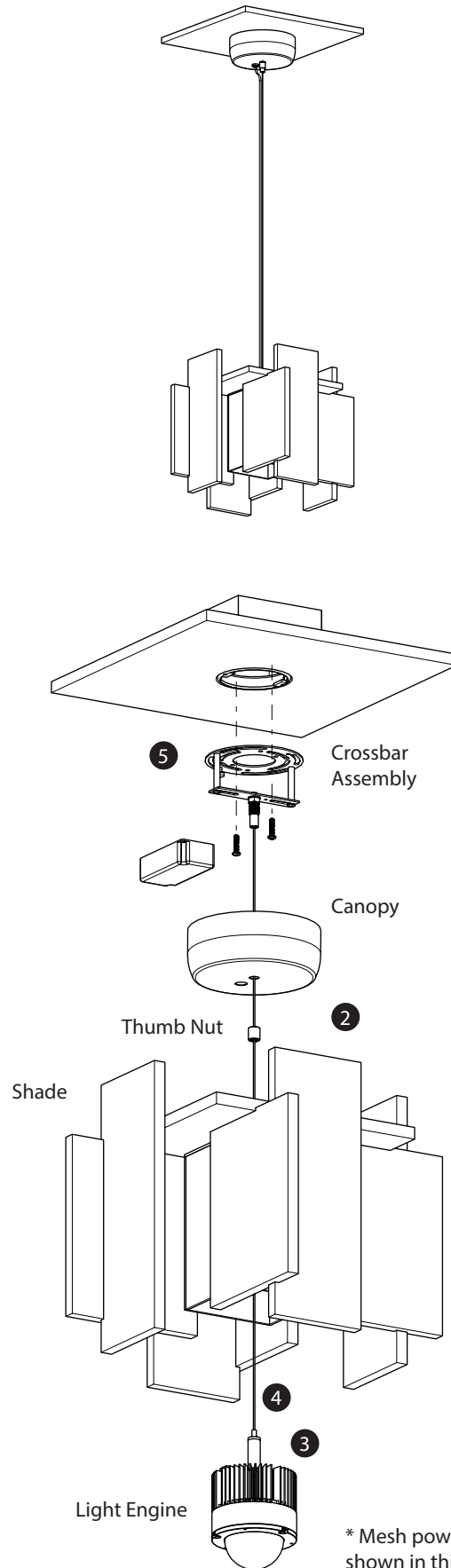
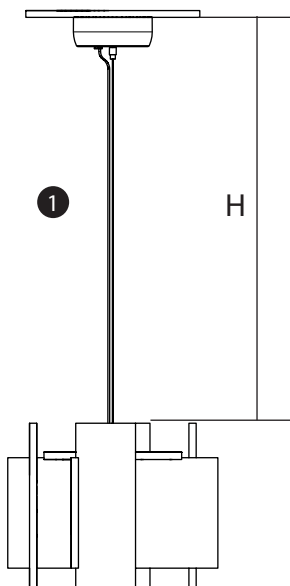
This product requires installation by a qualified electrician. Before installing be sure to read all instructions and **TURN POWER OFF TO THE JUNCTION BOX**

### Adjusting the Fixture Height

- 1 Measure the desired drop length (H) that you want the fixture to hang below the ceiling.
- 2 Thread the 1/16" steel cable from the crossbar assembly through the center hole of the canopy, the thumb nut, and the shade.
- 3 Feed this wire into the top hole of the cable gripper located on top of the light engine and out of the side exit hole. Continue to feed the suspension cable through the cable gripper until you have achieved the desired drop length.

### Mounting the Fixture

- 4 Ensure that the mesh-covered power cord is being fed through the center hole of the shade.
- 5 Lift the fixture toward the ceiling. Attach the crossbar assembly to the junction box using the supplied #8-32 screws.



### Wiring the Fixture

- 6 Pass the mesh-covered power cord through the offset hole in the canopy.
- 7 Make electrical connections in accordance with the wiring diagram shown.

#### WARNING

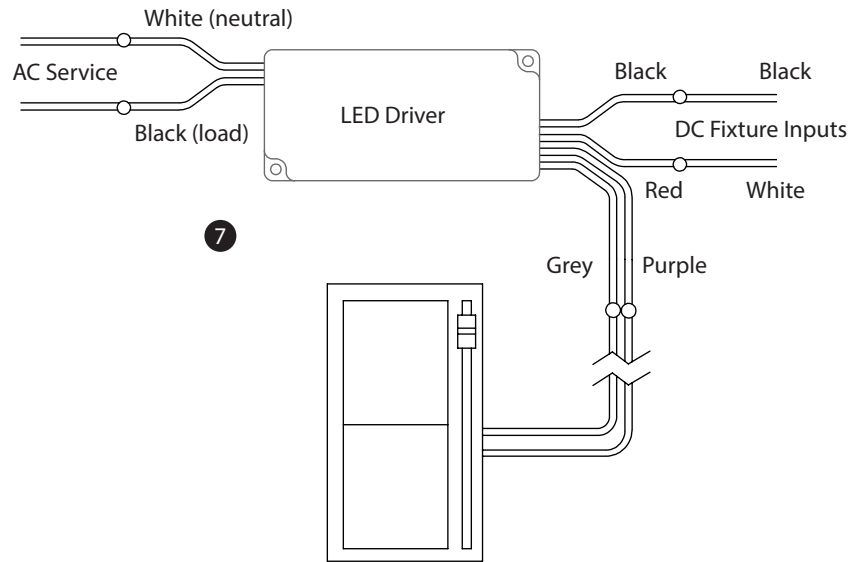
THE LED DRIVER IS A DC DEVICE AND MUST BE ATTACHED TO THE LED LIGHT ENGINE AS SHOWN. CONNECTING THIS DEVICE INCORRECTLY WILL CAUSE SEVERE DAMAGE.

### Dimming Notes

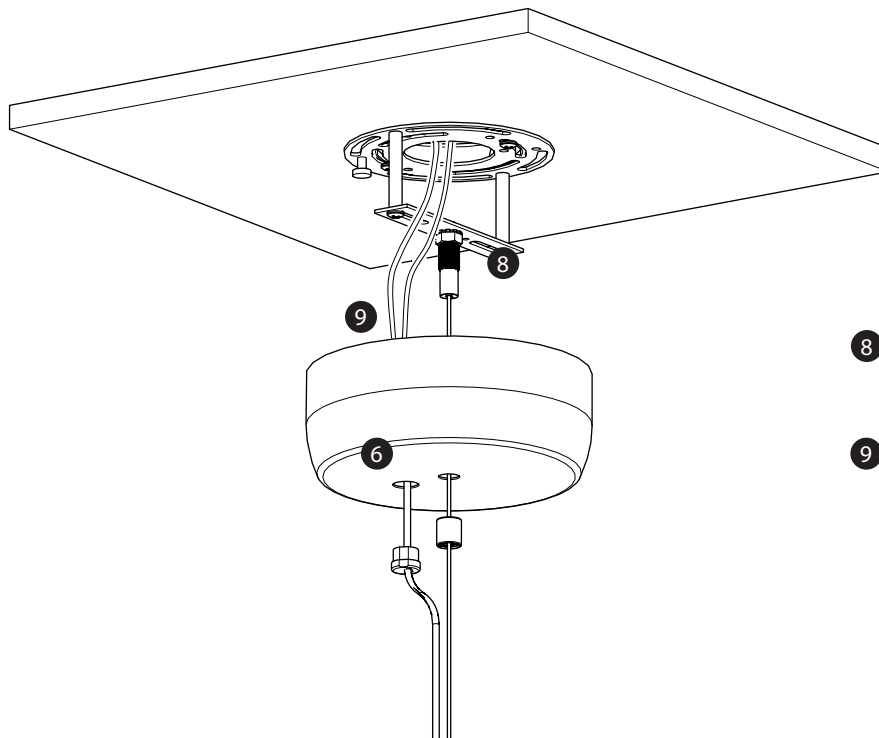
The LED driver included with this fixture is capable of being dimmed with a 0-10V dimmer. See wiring diagram for details. This option is available for 120-277 V AC.

The driver is also capable of being dimmed using a TRIAC or ELV dimmed input. This option is only available for 120 V AC service.

**IMPORTANT:** If a 0-10V dimmer is not to be used, the purple and grey wires must be capped so that they remain isolated from one another.



0-10V Compatible Dimmer  
(optional, not included)



### Securing the Canopy

- 8 Slide the canopy up the cable until it is flush with the ceiling. Screw the thumb nut onto the exposed threaded coupler to hold the canopy in place.
- 9 Push any excess mesh power coat into the canopy. Pinch the included black strain relief bushing onto the cord and press the bushing until it snaps into the 1/2" offset hole.

To give a clean appearance, tie the mesh cord to the suspension cable.

### Important Note!

This fixture comes with a universal driver that can operate within an input voltage range of 120 and 277 V AC. See the table below to understand which types of dimming are available for a particular input voltage.

Input Voltage	Dimming Type
120	Triac, ELV, and 0-10V
240	0-10V only
277	0-10V only

The purple and grey leads exiting from the LED driver are there to enable dimming of the fixture through the use of a compatible 0-10V dimmer. If the fixture is to be dimmed using a 0-10V dimmer, follow the wiring instructions provided with the dimmer.

If the fixture is NOT to be dimmed using a 0-10V dimmer, the tinned ends of these leads should be snipped off and the leads should be capped individually such that they remain isolated from one another.

The wiring diagram below only applies if the fixture is to be controlled by a 0-10V dimmer.

