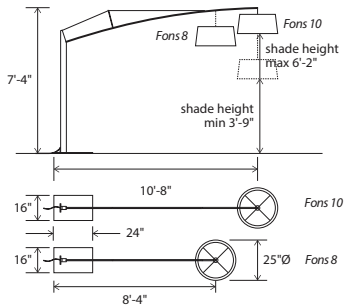


Fons 8 / Fons 10  
floor

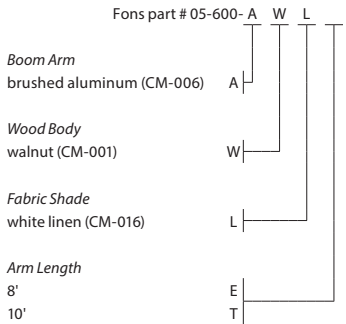


Dimensions: 25" Ø shade, 7'-4"  
 Materials: solid wood, metal, linen shade  
 Product weight: 65 lb  
 Light source: medium base E26 socket  
 Lamping: E26 base, type A lamp, 60 W max  
 Input voltage: 120 V AC max  
 Includes 72" clear silver cord with  
 inline foot switch 24" from base  
 Bottom diffuser included (CM-051)  
 Wood grain will vary  
 Specifications subject to change



Included dimmable LED A19 bulb  
 Light output: 800 Lumens (source)  
 Light color: 2700 K  
 Color accuracy: 90+ CRI  
 Power usage: 11 W

MATERIAL & FINISH OPTIONS



Includes  
 stainless steel tension cable (CM-053)  
 black powder coated steel base (CM-049)  
 frosted polymer diffuser (CM-051)

Alternate voltage/plug styles are available



**ARM LENGTH**  
 Available in 10'-8" and 8'-4" arm lengths  
 Arm length is from back of base to center of shade  
 Arm lengths are not adjustable

**SHADE HEIGHT**  
 Shade height (floor to bottom edge of shade)  
 can be adjusted between 6'-2" maximum and  
 3'-9" minimum.

*The goal with the Fons was to minimize the structure and visual massing of the fixture while maximizing the reach or cantilever. The delicate boom arm, upheld by a tension cable, gently bends while reaching out to almost horizontal where it suspends the light. The structural design is an extremely effective way to resolve the forces associated with such a long reach. It is so effective and efficient that it seems to float with a weightlessness at the tip.*

Nick Sheridan  
 Designer

